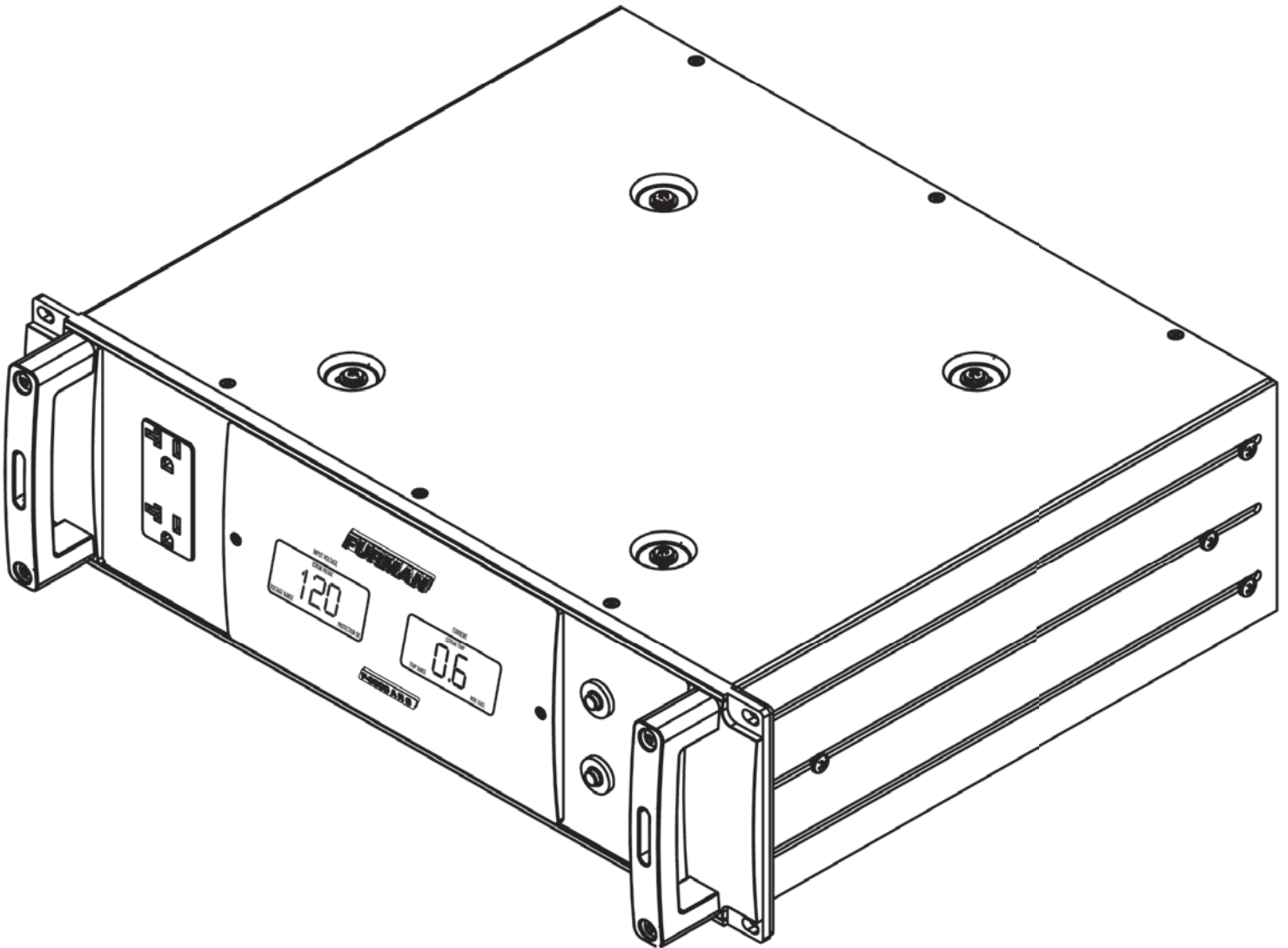


FURMAN[®]

P-3600 AR G POWER CONDITIONER

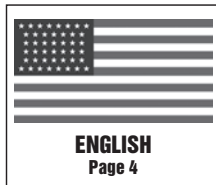
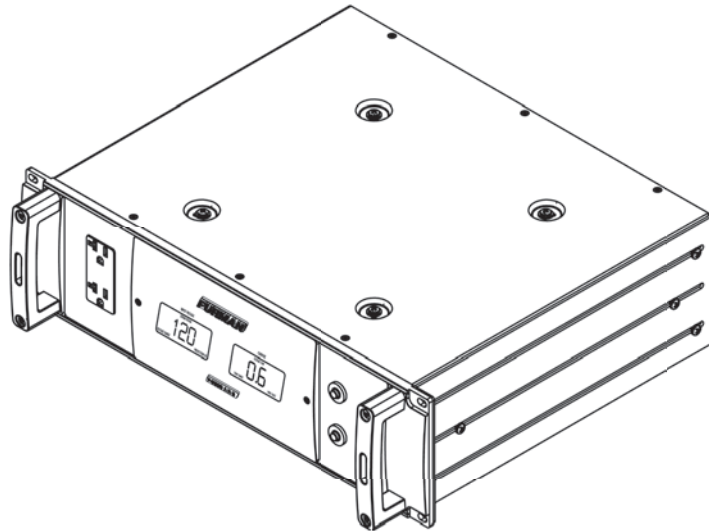
CONDITIONNEUR D'ALIMENTATION P-3600 AR G / P-3600 AR G ACONDICIONADOR DE ENERGÍA



PRESTIGE SERIES OWNER'S MANUAL

SÉRIE PRESTIGE GUIDE DE L'UTILISATEUR / SERIE PRESTIGE MANUAL DEL PROPIETARIO

FURMAN®



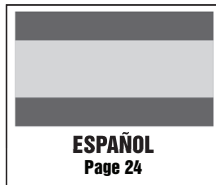
ENGLISH
Page 4

P-3600 AR G OWNER'S MANUAL



FRANÇAIS
Page 14

P-3600 AR G GUIDE DE L'UTILISATEUR



ESPAÑOL
Page 24

P-3600 AR G MANUAL DEL PROPIETARIO

IMPORTANT!

1. Carefully inspect your P-3600 AR G for signs of damage that may have occurred in shipping. Any such damage is the responsibility of the carrier. If necessary, file a claim directly with them.
2. The P-3600 AR G is a complex electronic instrument with various wiring options. You cannot simply “plug in and go.” The supply cable must be adequate for your installation needs. Take the time to read this manual, especially the sections on Installation and Operation. If in doubt, obtain the assistance of a licensed electrician.
3. To ensure full protection under the terms of the Limited Warranty, please notify Furman of the defects by calling 877-486-4738 or via email (techsupport@furmansound.com) immediately. Verify that the serial number shown on the shipping materials matches the serial number on your unit.
4. Save your sales receipt – it is your proof of purchase and will be needed to process any warranty claims.

SAFETY INFORMATION

To obtain best results from your Furman P-3600 AR G, please read this manual before using.

WARNING

To reduce the risk of electrical shock, do not expose this equipment to rain or moisture. Dangerous high voltages are present inside the enclosure. Do not remove the cover. Refer servicing to qualified personnel only.

WARNING

The P-3600 AR G is a robust contractor grade AC power management device. As such, the weight of the P-3600 AR G Voltage Regulator should not be construed as easy and manageable for a single person. Please use caution when loading or installing the unit. Please remember safety first and please ask for assistance when necessary.

WARNING

Please verify the electrical input voltage before selecting a L14-30 configuration. The P-3600 AR G is capable of world-wide use; therefore it is imperative that any installation be verified to avoid injury or damage to supply cables or connections. Qualified personnel should identify source voltage before attempting operation.

WARNING

Since the USA 220-240 doesn't use a neutral, you don't need to wire it. However, because of the lack of a neutral, it is essential that all equipment powered by a P-3600 AR G be properly grounded! Never cut off the power cord ground pin or use a “cheater” adaptor on any of your equipment. Output neutral will have voltage.

IMPORTANT SAFETY INSTRUCTIONS

(Please read prior to installation)

1. Please read and observe all safety and operating instructions before installing your P-3600 AR G. Retain these instructions for future reference.
2. Your P-3600 AR G should not be used near water – for example, near a bathtub, washbowl, kitchen sink, laundry tub, in a wet basement, or near a swimming pool.
3. Do not place your P-3600 AR G near high heat sources such as radiators, heat registers, stoves, or other appliances that produce extreme heat.
4. Your P-3600 AR G should only be connected to a grounded electrical source. Do not attempt to operate the P-3600 AR G without a proper safety ground.
5. **NO ELECTRICAL SUPPLY CABLE IS PROVIDED**, please read the section on electrical supply cables in this manual. Do not wire the P-3600 AR G with a lesser gauge cord set or inferior cord set not capable of providing a full operational capacity (3600 Watts).
6. Route the chosen electrical supply cable and/or other cables so that they are not likely to be walked on, tripped over, or stressed. Pay particular attention to the condition of the cables and cords at the plugs, and the point where they exit your Furman P-3600 AR G. To prevent risk of fire or injury, damaged cords and cables should be replaced immediately.
7. Clean your P-3600 AR G with a damp cloth only. Do not use solvents or abrasive cleaners. Never pour liquid on or into the unit.
8. Your P-3600 AR G should be serviced by qualified service personnel when:
 - The input connection show signs of heat damage
 - Objects have fallen or liquid has spilled into the unit.
 - The unit has been exposed to rain or extreme moisture.
 - The unit does not appear to operate normally.
 - The “Protection OK” indicator is not lit.

- The unit has been dropped, or the enclosure has been damaged.
9. Your P-3600 AR G requires that a safety ground be present for proper operation. Any attempt to operate the unit without a safety ground is considered improper operation and could invalidate the warranty.
10. Do not attempt to service your P-3600 AR G beyond what is described in this manual. All other servicing should be referred to qualified service personnel.

P-3600 AR G Limitations

AC power is, to some extent, unpredictable. The available voltage may vary from place to place and from moment to moment. The waveform may not be a perfect sine wave, and high or low frequency noise may be present. AC power also varies from country to country in terms of voltage and frequency. The P-3600 AR G is a one-of-a-kind solution that will eliminate many of the problems these issues may cause. However, you should be aware that there are certain things the P-3600 AR G cannot do. These include, but are not limited to:

- Protecting from complete loss of power (blackouts).
- Performing frequency conversion to 60 Hz.
- Isolating ungrounded equipment.
- Handling multiple-phase power.

FURMAN P-3600 AR G FEATURES

- **True RMS Voltage Regulation** - A 30 amp ultra-low noise toroidal autoformer with microprocessor control delivering 120 VAC \pm 4% globally within auto-selecting input voltage ranges of 88 to 134 and 170 to 264 volts
- **Dual SMP Technology (Series Multi-Stage Protection)** - Protects against transient voltage spikes and surges
- **LiFT (Linear Filtering Technology)** - Filters AC line noise
- **EVS (Extreme Voltage Shutdown)** - Protects against catastrophic voltage conditions
- **Wire Fault Detection** - Protects against badly wired electrical feeds
- **Input Voltmeter** - A laboratory precise digital voltmeter to verify source voltage
- **Output Ammeter** - A true RMS digital ammeter to avoid overloading
- **Tri-color voltage range indicator** - Complements numerical voltage reading
- **Temperature Fault Detection** - For high temperature and extreme voltage
- **30 Amp Current Capacity** - Effectively 3600 watts world-wide
- Ten regulated NEMA 20 amp AC outlets; two on the front panel
- One regulated NEMA 30 amp outlet on rear panel L5-30R twist-lock
- Very low stray magnetic field leakage
- Robust NEMA L14-30 twist-lock connectors
- Adjustable built-in rear rack ears for commercial integration
- Removable front panel handles for space saving installs
- Five year limited warranty

FEATURE DEFINITIONS

True RMS Voltage Regulation Technology

True RMS Voltage Regulation within the P-3600 AR G is designed around an ultra-low noise ten-tap toroidal autoformer. A micro-processor monitors the incoming RMS voltage with each cycle, measuring the phase angle in time with the advancing cycle. Most commercial voltage regulators using multiple-tapped transformers switch taps at uncontrolled times. This creates voltage spikes and clicks that can leak into audio. When a voltage fluctuation requires correction by the P-3600 AR G, True RMS Voltage Regulation advances a new tap with less stress and in turn avoids distortion to the AC waveform. Hysteresis in the P-3600 AR G circuits avoids the unnecessary switching back and forth between the adjacent taps (or “chatter”) found in many commercial voltage regulators. If necessary, True RMS Voltage Regulation technology can switch taps as often as twice each AC cycle and do so with a shorter recovery time than a commercial voltage regulator. In addition and unlike voltage regulators that employ ferroresonant transformers, the P-3600 AR G is not sensitive to small errors in line frequency, making the unit ideal for generator use. Furthermore, the autoformer’s toroidal design assures minimal leakage of stray magnetic fields.

The P-3600 AR G has a low range capability of 88VAC to 134VAC and a high range capability of 170VAC to 264VAC. There is no need to select the range. The P-3600 AR G automatically recognizes a useable voltage and immediately begins to regulate. This impressive capture range ensures a 120VAC output. In order to provide the regulated AC voltage, the P-3600 AR G has eight outlets on the

rear panel and two convenience outlets on the front panel. Also on the rear panel is one L5-30R output capable of delivering 30 amps. All outputs are not only regulated, yet surge-suppressed and linearly filtered, making the unit a full-function power conditioner.

NOTE: P-3600 AR G is for use with AC voltage only. DC voltages should never be applied. Also, it does not change or regulate line frequency. The output frequency will always be the same as the incoming frequency. The unit should only be connected to a grounded electrical source.

Transient Voltage Surge Suppression - Dual SMP Technology (Series Multi-Stage Protection)

Furman's SMP (Series Multi-Stage Protection) surge suppression virtually eliminates service calls and costly "down time". Traditional surge suppression circuits sacrifice themselves when exposed to multiple transient voltage spikes, requiring the dismantling of your system, and repair of your surge suppressor. Not so with Furman's SMP. With SMP, damaging transient voltages are safely absorbed, clamped, and dissipated. Your connected equipment is protected, while your P-3600 AR G protects itself. Unique to the P-3600 AR G is its unparalleled SMP dual voltage clamping capability. While other power management devices throughout the world offer clamping voltages that are well above Furman's SMP technology, Dual SMP Technology clamps 188V peak at 120V standards (375V peak in 240V applications) - even when tested with multiple 6000 Vpk/3000 amp surges. This unprecedented level of protection is only available with Furman's SMP technology.

LiFT (Linear Filtering Technology)

Furman's Linear Filtering Technology (LiFT) reduces AC line noise in a linear manner across a very wide bandwidth. Traditional AC filters/conditioners have been designed for unrealistic laboratory conditions ; whether multiple pole filters or conventional series mode, prior technologies could actually harm audio and video performance more than they help. Under certain conditions these designs can actually add more than 10 dB of noise to the incoming AC line. Furman's LiFT takes a different approach. The technology ensures optimal performance through linear filtration.

Catastrophic Voltage Protection – Extreme Voltage Shutdown

Furman's trusted EVS (Extreme Voltage Shutdown) circuitry protects against catastrophic overvoltage conditions. EVS technology constantly monitors incoming voltage. When voltages rise to an unsafe level, or a fault is detected, the SMP circuit reacts cutting power to all connected equipment. Once the voltage returns to normal levels, the EVS can resume monitoring.

Wire Fault Detection

Wire Fault detection, along with EVS, protects against accidental connections to intermittent neutrals and poorly wired supply cables. In either case, each circuit protects against catastrophic conditions by cutting off the incoming power until the adverse condition is corrected.

INTRODUCTION

Thank you for purchasing a Furman Prestige Series Voltage Regulator/Power Conditioner, and congratulations on your choice. The P-3600 AR G has been precisely engineered to more than meet the critical demands of recording studios, broadcast facilities, and touring productions throughout the world. The unit incorporates features such as Furman's True RMS Voltage Regulation, Series Multi-Stage Protection (SMP), and our exclusive Linear Filtering Technology (LiFT). Together, these technologies comprise precisely what our customers have grown to expect from Furman: uncompromised protection and purification. These features make the P-3600 AR G the ideal component in a world use 120V power scheme, accommodating national voltages of 100, 120, 220, 240, or others, with equal ease and without the need for readjustment.

The Furman P-3600 AR G is intended to protect sensitive electronic equipment from problems caused by AC line voltage irregularities. Brownouts or over-voltages can cause audio tonal changes, digital equipment malfunction (such as loss of data), or, in extreme cases, permanent damage. The unit accepts a world-wide AC voltage range and converts the source to a steady, stable 120V output range (120V plus or minus 4%). Voltages beyond the capture ranges may be converted to usable levels. Amplifiers, consoles, and digital workstations will benefit from stable voltage as the P-3600 AR G protects the equipment and promotes optimal performance. If you travel internationally, derive power from generators, use excessively long extension cords, or are in an area prone to brownouts, you will secure an outstanding advantage with use of your new Furman P-3600 AR G Voltage Regulator.

DESCRIPTION

Front Panel Meters and Indicators

The P-3600 AR G offers precision digital meters that display incoming voltage in 1-volt steps and a RMS ammeter measuring current to the fifth of an amp. The voltmeter's accuracy is ± 1.5 volts and features a tri-color voltage range indicator. This informs the user whether voltage is in or out of a safe range. The ammeter measures current draw for an instant analysis of system requirements. The front panel also includes indicators regarding operating temperature and wiring faults for comprehensive monitoring.

Receptacles and Connections

The P-3600 AR G is equipped with ten NEMA 20 amp regulated AC outlets. The rear AC outlets feature discrete noise isolation in two banks. The two round SPST 20 amp magnetic breakers for Bank A and Bank B are clearly indicated on the front panel of the P-3600 AR G. The front panel duplex opposite the magnetic breakers should be considered as an extension of Bank B and therefore any current derive through the convenience outlets will be linked to the Bank B magnetic breaker.

In instances where a 120 volt 30 amp service is required, the rear panel NEMA L5-30R outlet provides a regulated and linear filtered source. A male twist locking L5-30P AC plug will securely seat in the outlet delivering the P-3600 AR G's full capability. The high in-rush magnetic breaker / main power switch acts as the primary safety device for the L5-30R outlet. The magnetic breaker and L5-30R outlet are rated for 30 amps at 120 volts or 15 amps at 240 volts.

A female NEMA L14-30R Twist-Lock is supplied. The voltage supplies will differ from continent to continent. Touring productions may require more than one L14-30R configuration due to the multitude of options found internationally. It is recommended that electrical supply cables and L14-30R Twist-Lock connectors be wired in advance based on the anticipated electrical requirements to ensure quick set up. If you have any questions while wiring the connectors, please call Furman for assistance or obtain the assistance of a licensed electrician.

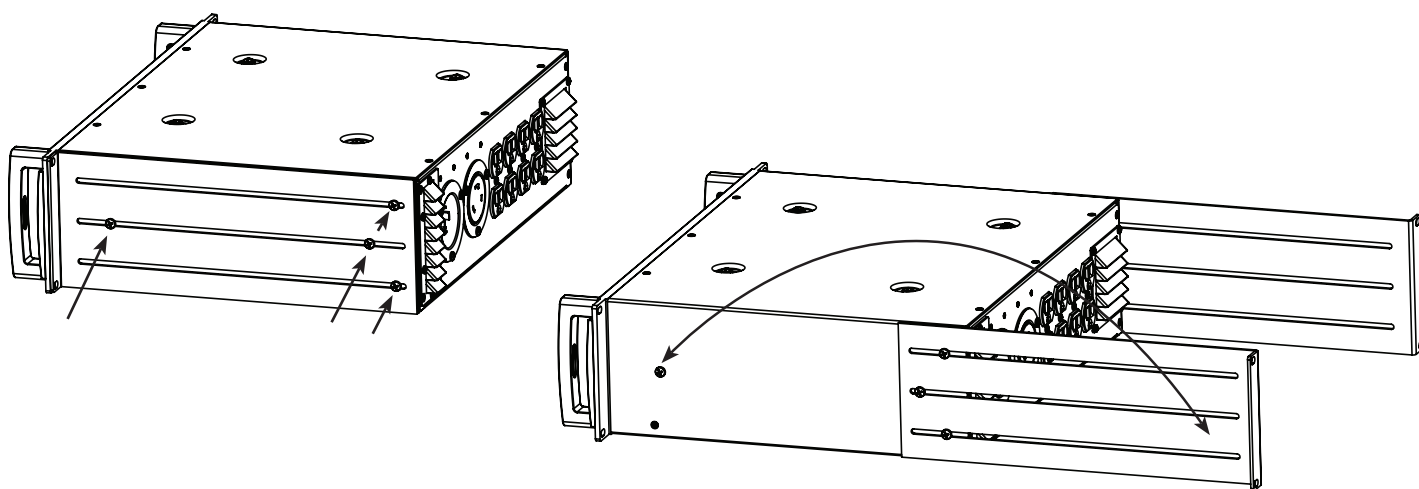
INSTALLATION

Because of the toroidal transformer design, the Furman P-3600 AR G may be positioned near most other equipment without fear that the other equipment will be disrupted by leakage of a strong 50/60 Hz magnetic field. Nevertheless, suggested rack locations would be either at the top or bottom. Use extreme caution when loading or racking the P-3600 AR G. The weight of the unit may become cumbersome and require assistance. Ask for assistance when racking the P-3600 AR G.

Rear rack mounting ears are located at each side of the P-3600 AR G. The adjustable ears should be removed prior to using with rear rack rails. The rear rack ears may be used in conjunction with the front panel chassis ears, if no rear rack rails are available. As with any rackmount equipment, be sure to use 10-32 machine screws for mounting in the rack's tapped holes (this is not a metric size). In particular, beware of 10-24 screws, which may fit if forced but which will strip the threads. To avoid marring the front panel finish, use plastic washers under the screw heads. While in the rack, you may remove the P-3600 AR G front panel handles.

Rear Rack Mounting:

If you are installing the P-3600 AR G in a rack that has rear as well as front mounting rails, you may easily secure it to the rear of your rack. Simply remove the securing screws* from the side and front portions of the P-3600 AR G's adjustable rear rack ear and reinforcement side plate (located on either chassis side), reverse it and re-attach to the P-3600 AR G chassis (See illustration below).



*** NOTE:** Please use the screws which are provided. If screws must be obtained elsewhere, do not use screws longer than 5/16 of an inch. Screws longer than 5/16" may contact internal components rendering the unit inoperable.

L14-30R Input Connector and Electrical Supply Cable:

The P-3600 AR G is accompanied with a female L14-30R Twist-Lock connector. NO ELECTRICAL SUPPLY CABLE IS PROVIDED. Due to the countless differences in electrical code requirements around the world, plus the varying cable length needs in individual installations, it is not possible to include a complete supply cable with your P-3600 AR G. The cable-mount connector that mates with the P-3600 AR G's twist-lock connector is supplied, but it is up to qualified personnel to hook up the electrical supply cable with one of appropriate gauge, number of conductors, length, and source-end connector.

Selecting The SUPPLY Cable

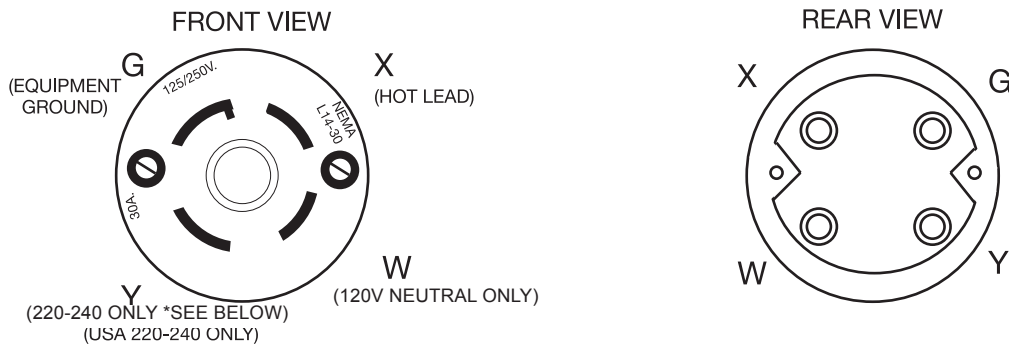
For nominal 120 VAC operation, 3 conductor cable of at least 10 AWG (.101"/2.56mm diameter) should be used, depending on distance from the power source.

For nominal 208-240 VAC operation, 3 conductor cable of at least 14 AWG (.064"/1.62mm diameter) should be used, depending on distance from the power source.

Rubber-jacketed cable is highly recommended for best flexibility and abrasion resistance. It is permissible to use 4 conductor cable, but it is not necessary to do so and is not recommended.

Supply Cable Wiring Instructions

Refer to the following diagrams for wiring the twist-lock connector:



General Wiring Requirements:

Low Range Voltage (88 to 133VAC, 30A max) is applied between X and W.
 High Range Voltage (170 to 265VAC, 15A max) is applied between X and Y.
 G is always Equipment Ground.

For 120V Wiring:

Wire hot lead to X (black in North America).
 Wire the neutral lead to W (white in North America).
 Wire the equipment ground to G (green in North America).

220-240V US Wiring:

Wire hot lead to X (black in North America).
 Wire hot lead to Y (red or blue in North America)*.
 Wire the equipment ground to G (green in North America).

220-240V Europe Wiring:

Wire hot lead to X (brown, or black with white stripes in Europe).
 Wire neutral lead to Y (blue in Europe)*.
 Wire the equipment ground to G (green with yellow stripe in Europe).

Source-End Connector On Supply Cable:

The connector used at the source end should be rated at least 250V-15A for high range operation, or 120V-30A for low range operation. If in doubt, consult a licensed electrician when installing your P-3600 AR G.

OPERATION

Ultra-Low Resistance Magnetic Power Switch/Circuit Breaker:

Furman's Prestige Series 30 amp capacity power switch / circuit breaker is specifically designed to stand up to the enormous high in-rush current demands of many power amplifiers. Additionally, Furman magnetic circuit breakers are not sensitive to temperature, nor do they raise the AC impedance as do many less costly thermal breakers. If the 30 amp maximum RMS current capacity of the P-3600 AR G is exceeded, the spring tensioned switch will immediately reset to the "Off" position. Once the problem is corrected or once the RMS current load is adjusted to no longer exceed 30 amps / 3600 watts (typically by unplugging one component), a person can switch the unit back to the "On" position. The P-3600 AR G will then resume operation as normal.

Total Current Capacity (maximum and minimum load):

The P-3600 AR G can handle loads totaling up to 3600 watts as long as the input voltage is equal to or above the unit's low range or

high range reference. The reference point for low range is 120 volts. The reference for high range is 240 volts. When voltages fall below range, the unit's capacity must be derated at approximately 170 milliamperes per volt. As a practical matter, to cope successfully with worst-case brownout conditions, one should plan the total load not to exceed 22.5 amps, or 2700 watts. Please note that this refers to the aggregate power requirement of all equipment plugged into the P-3600 AR G, not to each individual item.

NOTE: While there is no minimum load requirement for the P-3600 AR G, you may experience an audible mechanical hum coming directly from the unit when the power switch is on with nothing plugged in. Typically this will cease once the unit has a load of 50 watts or more.

Digital Voltage Meter:

Furman's laboratory precision AC digital voltmeter is on the front panel's left side. The voltmeter continually measures incoming voltages within a typical tolerance of +/-1.5VAC. It should be noted that the voltage reading is determined by the incoming AC source. Additional LED indicators PROTECTION OK, EXTREME VOLTAGE, and VOLTAGE RANGE are located on digital voltmeter lens besides the voltage reading.

Protection OK LED Indicator:

The "Protection Ok" LED indicator is normally on. Although the Furman SMP circuit assures virtually maintenance free protection from transient voltage spikes and surges, nature has a way of occasionally creating electrical forces that are beyond the capabilities of any TVSS device. In the rare instance that this occurs, the green "Protection OK" LED indicator (located to the lower right of the voltage meter) will not illuminate. If this happens, the P-3600 AR G's clamping ability will be compromised. If this occurrence is encountered, please contact Furman.

Extreme Voltage Shutdown LED Indicator:

The "Extreme Voltage" LED indicator is normally off. It is located within the meter lens assembly centered directly above the blue voltage meters LED's. During normal use the EVS indicator will not be visible.

Upon initially turning on the P-3600 AR G, the Extreme Voltage indicator will illuminate to a bright red if the input voltage is above the extreme voltage cutoff. When this occurs, power will not be bussed to the P-3600 AR G's outlets. If the unit has been operating with an acceptable input voltage and subsequently a voltage exceeds 145V at the lower 120V capture range or 275V at the higher 240V capture range, the unit will shut off power to the outlets and the Extreme Voltage LED will light.

NOTE: If the mains power is above a high cutoff voltage and has caused the EVS circuit to cease power to the Furman P-3600 AR G outlets, it cannot restore power without the operator manually turning the unit off, then on again. Avoid turning the unit back on without first checking the source of the problem and perhaps changing the AC source.

Voltage Range LED Indicator:

This tri-color Voltage Range indicator is located in the lower left corner of the digital voltage meter lens assembly. When the incoming AC voltage is within the P-3600 AR G capture range, the tri-color indicator will be green (optimal), indicating the unit is in regulation. However, if the regulator encounters a temporary transient condition the indicator will turn amber (caution). This amber indication appears when there are excessive changes or sudden swings at the input (+/-10 volts). If the incoming voltage is outside the capture range, the indicator will turn red, for example below 88V or above 134V with a 100V to 120V source; below 170V or above 264V with a 208V to 240V source. Red warnings indicate the incoming voltage is far from optimal and beyond the capture range offering a constant voltage source. In this condition, the P-3600 AR G will continue to regulate from the last tap of the autoformer, providing an output voltage as close to 120V as possible (e.g. an input voltage of 92V would equate to 110V at output). When employing the P-3600 AR G in mission critical applications where 120V output is the primary concern, the red indication is invaluable.

True RMS Current Meter:

The Furman True RMS Current Meter is located on the front panel's right side, constantly measures the total circuit AC load, with a typical tolerance of +/- 0.5 amps. Because the meter features True RMS technology, the current readings are accurate regardless of load conditions (capacitive, inductive, or resistive).

Wire Fault LED Indicator:

The Wiring Fault indicator monitors a hazard common in the entertainment industry. As an example, a wiring fault can occur from an accidental connection to open series neutral at the electrical service panel. The Wiring Fault indicator is a red LED located at the bottom right of the current meter. This feature works in conjunction with the Furman EVS circuit ensuring maximum protection from improperly wired circuits and improperly wired Twist-Lock connectors. If illuminated, the P-3600 AR G will NOT operate until the wiring fault is corrected.

Temperature Range LED Indicator:

Located at the bottom left of the current meter read out, the Temperature Range LED Indicator provides diagnostic information on the internal ambient environment of the P-3600 AR G voltage regulator. The LED is green when temperatures are within an acceptable range for the autoformer, and may switch to amber when temperatures become less favorable.

Extreme Temperature LED Indicator:

Although many environments can be anticipated, not all can be considered or foreseen. In extremely high ambient temperatures, combined with sustained high current draws, it is possible for the maximum allowable temperature of the P-3600 AR G to be

exceeded. If this condition occurs, the unit will enter thermal shutdown to ensure safety. The Extreme Temperature indicator (located within the meter lens assembly centered directly above the blue current meters LEDs) will illuminate when maximum temperature is present and power to all outlets of the P-3600AR G has ceased. Note that the P-3600 AR G has an internally installed fan to provide cooling in extreme temperatures.

TROUBLESHOOTING

1.) Symptom: No power to the AC outlets; "Protection OK" indicator is not lit.

Possible Cause: Either the AC outlet to which your P-3600 AR G is connected has no AC voltage present, or there has been damage to the unit's circuitry.

Action Needed: Plug the P-3600 AR into an AC source where a nominal 120 VAC is present. If the problem persists, the internal circuitry may be damaged and the unit will require factory service (see "Service" section below).

2.) Symptom: Extreme Voltage indicator lit.

Possible Cause: Input voltage is above 140 volts or 275 volts causing power to the unit's outlets to be shut down.

Action Needed: Correct the line voltage, and then turn the P-3600 AR G off and on with the main power switch.

3) Symptom: Temperature Range indicator is lit amber.

Possible Cause: Internal temperature of the P-3600 AR G's autoformer is approaching its temperature limit.

Action Needed: Operator should check that there is sufficient air space around P-3600 AR G, the ventilation fan is running, both air vents are unobstructed, the load is not excessive, and that the ambient air temperature is not hot.

WARNING: If the temperature of the P-3600 AR G continues to rise, the P-3600 AR G may shutdown to prevent damage to itself. If the P-3600 AR G goes into thermal shutdown, it may take significant time for the unit to cool down and re-power up.

4) Symptom: Extreme Temperature indicator lit.

Possible Cause: Internal temperature of the P-3600 AR G's autoformer has exceeded safe operation levels and the unit has entered thermal shutdown.

Action Needed: Operator should check that there is sufficient air space around P-3600 AR G, the ventilation fan is running, both air vents are unobstructed, the load is not excessive, and that the ambient air temperature is not hot. Ventilation fan will continue to run and circulate air even while unit is shutdown in this state. Unit will re-power up once the internal temperature of the autoformer has cooled.

NOTE: Due to the large thermal mass of the P-3600 AR G autoformer, once the autoformer reaches its high temperature limit, it will take significant time for the transformer to cool down.

SERVICE

Questions or issues with your Furman unit should be directed to the Furman Customer Service Department, available 8AM-4PM Pacific Time at (877) 486-4738 or via email at techsupport@furmansound.com. If a unit requires service, it must have an RA number assigned from Furman's Customer Service Department.

Before returning any equipment for repair, please be sure that it is adequately packed and cushioned against damage in shipment, and that it is insured. We suggest that you save the original packaging and use it to ship the product for servicing. Also, please enclose a brief note giving your name, address, phone number and a description of the problem. Please display your RA number prominently on the front of all packages.

5 YEAR LIMITED WARRANTY

SAVE YOUR SALES RECEIPT! The receipt is your proof of purchase and confirms the product was purchased at an authorized Furman dealer. It will need to be submitted to Furman in order to process any warranty claims.

Furman, a brand of Panamax LLC., warrants its P-3600 AR G (the "Product") as follows:

Furman warrants to the original purchaser of the product that the product sold hereunder will be free from defects in material and workmanship for a period of five years from the date of purchase. If the product does not conform to this Limited Warranty during the warranty period (as herein above specified), purchaser shall notify Furman of the claimed defects by calling 877-486-4738 or via email (techsupport@furmansound.com). If the defects are of such type and nature as to be covered by this warranty, Furman shall authorize purchaser to return the product to Furman headquarters. Warranty claims MUST be accompanied by a copy of the original purchase invoice or receipt showing the purchase date. Shipping charges to Furman headquarters must be prepaid by the purchaser of the product. Furman shall, at its own expense, furnish a replacement product or, at Furman's option, repair the defective product. Return

shipping charges back to purchaser will be paid by Furman.

THE FOREGOING IS IN LIEU OF ALL OTHER WARRANTIES, EXPRESS OR IMPLIED, INCLUDING BUT NOT LIMITED TO THE IMPLIED WARRANTIES OF MERCHANTABILITY AND FITNESS FOR A PARTICULAR PURPOSE.

Furman does not warrant against damages or defects arising out of improper use or abnormal handling of the product, or against defects or damages arising from improper installation. This warranty shall be cancelable by Furman at its sole discretion if the product is modified in any way without written authorization from Furman or Panamax LLC. This warranty also does not apply to products upon which repairs have been affected or attempted by persons other than pursuant to written authorization by Furman or Panamax LLC.

THIS WARRANTY IS EXCLUSIVE. The sole and exclusive obligation of Furman shall be to repair or replace the defective product in the manner and for the period provided above. Furman shall not have any other obligation with respect to the products or any part thereof, whether based on contract, tort, strict liability or otherwise. Under no circumstances, whether based on this Limited Warranty or otherwise, shall Furman be liable for incidental, special, or consequential damages. This Limited Warranty states the entire obligation of Furman with respect to the product. If any part of this Limited Warranty is determined to be void or illegal, the remainder shall remain in full force and effect.

SPECIFICATIONS

MAXIMUM CURRENT:

30 AMPS

VOLTAGE REGULATION:

120 VAC ($\pm 4\%$)

IN REGULATION RANGE:

(LOW) 88-134 VAC @ 50/60Hz,

(HIGH) 174-268 VAC @ 50/60Hz

OVER VOLTAGE SHUTDOWN:

145 VAC NOMINAL (120VAC INPUT)

275 VAC NOMINAL (240VAC INPUT)

SPIKE PROTECTION MODES:

LINE TO NEUTRAL, ZERO GROUND LEAKAGE

SPIKE CLAMPING VOLTAGE:

188V PEAK @ 3,000 AMPS

RESPONSE TIME:

1 NANOSECOND

MAXIMUM SURGE CURRENT:

6,500 AMPS

NOISE ATTENUATION:

10 DB @ 10KHZ, 40 DB @ 100 KHZ,

55 DB @ 500KHZ

RECEPTACLES (FRONT PANEL):

TWO 120V 20A EDISON SPEC GRADE NEMA-20 OUTLETS

RECEPTACLES (REAR PANEL):

ONE 120V L-5 30A FEMALE, EIGHT 120V 20A EDISON SPEC GRADE NEMA-20 OUTLETS

AC INPUT:

L-14 MALE TWISTLOCK INLET (TWISTLOCK CABLE-MOUNT CONNECTOR INCLUDED)

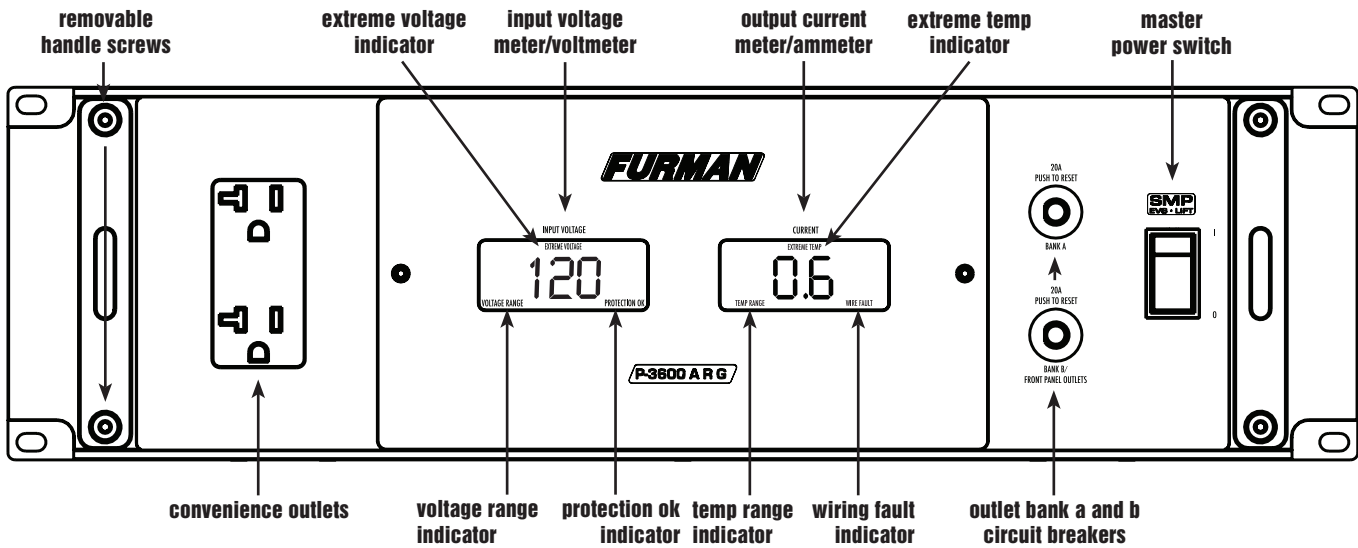
DIMENSIONS:

19" W x 14.25" D x 5.25" H (483mm W X 362mm D x 133mm H)

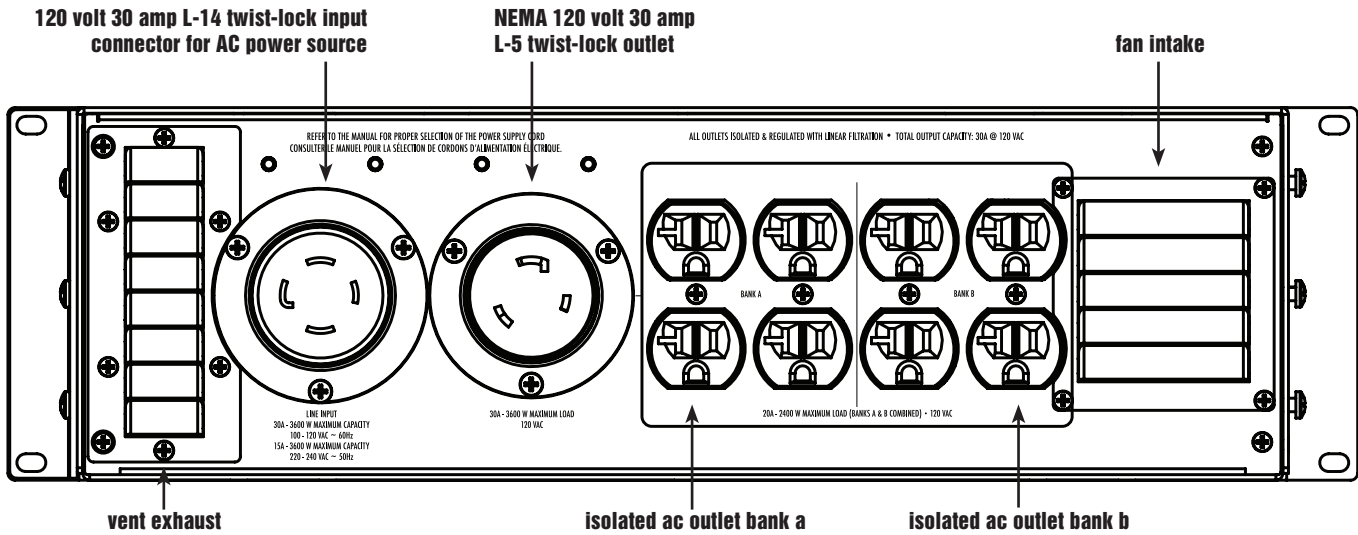
WEIGHT:

98 LBS. (44.5 KG.)

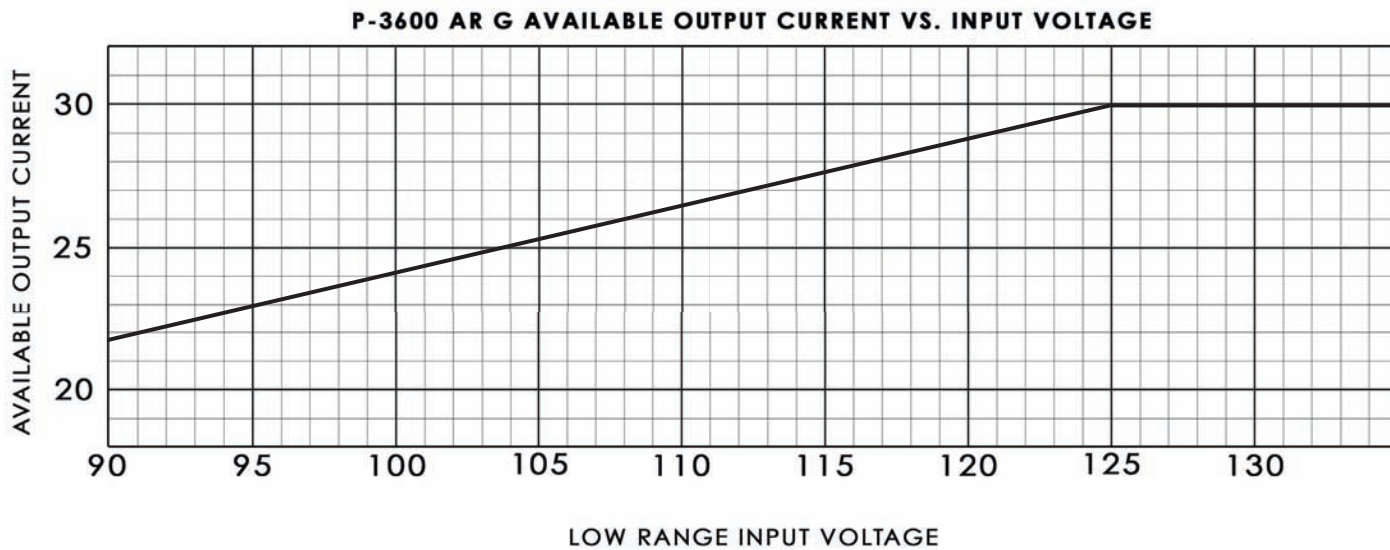
FRONT PANEL



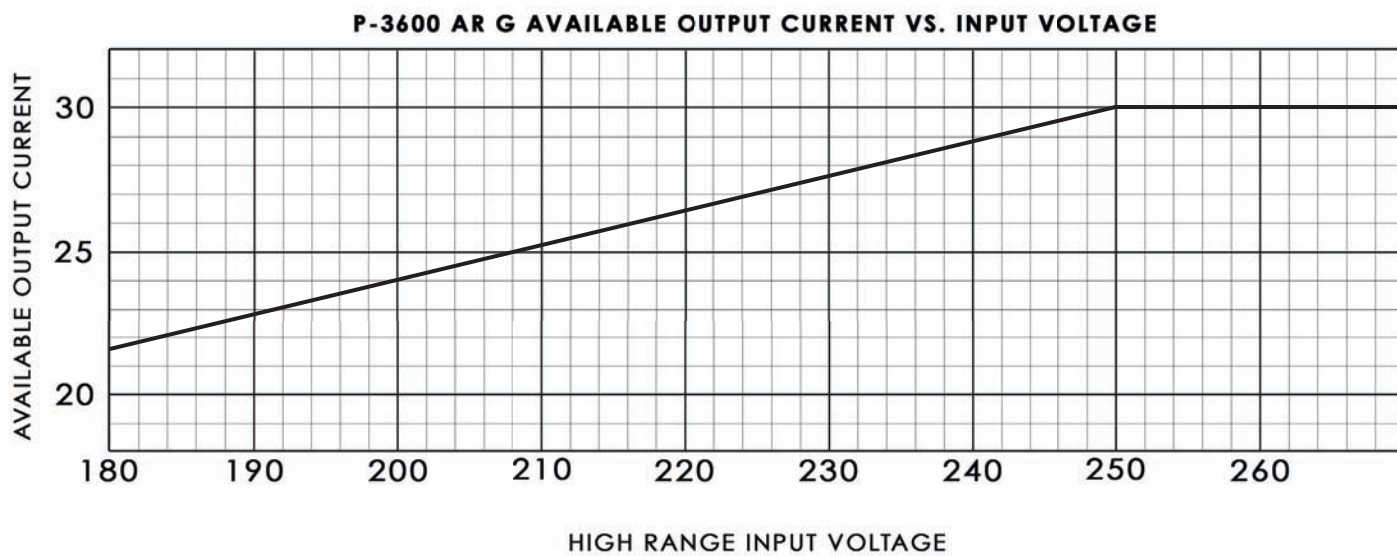
REAR PANEL



LOW INPUT CURRENT VS. VOLTAGE GRAPH



HIGH INPUT CURRENT VS. VOLTAGE GRAPH



IMPORTANTES !

1. Inspectez minutieusement votre P-3600 AR G afin d'y détecter tout signe de dégât pouvant avoir eu lieu au cours du transport. Le transporteur est tenu pour responsable de tels dégâts. Si nécessaire, réalisez votre plainte directement auprès de l'entreprise concernée.
2. Le P-3600 AR G est un instrument électronique complexe possédant diverses possibilités de câblage. Vous ne pouvez pas simplement le brancher et l'utiliser. Le câble d'alimentation doit être adapté aux besoins de votre installation. Prenez le temps de lire ce manuel, en particulier les sections concernant l'installation et l'utilisation. Dans le doute, demander l'assistance d'un électricien agréé.
3. Afin d'assurer une protection complète en vertu des termes de la Garantie Limitée, veuillez immédiatement notifier Furman de tout défaut en appelant le 877-486-4738 ou par courriel à l'adresse info@furmansound.com. Vérifiez que le numéro de série indiqué sur le colis correspond avec le numéro de série indiqué sur votre appareil.
4. Conservez votre reçu - il s'agit de votre preuve d'achat et vous en aurez besoin en cas de réclamation sous garantie.

INFORMATION DE SÉCURITÉ

Afin d'obtenir les meilleurs résultats de votre Furman P-3600 AR G, veuillez lire ce manuel avec attention avant toute utilisation.

ATTENTION

Afin de réduire le risque de choc électrique, veuillez ne pas exposer l'équipement à la pluie ou à l'humidité. De hautes tensions dangereuses sont présentes à l'intérieur du boîtier. Ne retirez pas le couvercle. Confiez l'entretien à un personnel qualifié uniquement.

ATTENTION

Le P3600 AR G est un dispositif de gestion de l'alimentation CA robuste de niveau professionnel. En tant que tel, le poids du régulateur de tension P-3600 AR G ne devrait pas être pris à la légère car il n'est pas gérable par une seule personne. Faites attention lors du chargement ou de l'installation de l'appareil. Souvenez-vous que la sécurité est prioritaire et demandez de l'aide si nécessaire.

ATTENTION

Veuillez vérifier la tension électrique d'entrée avant de sélectionner une configuration L14-30. Le P-3600 AR G peut être utilisé partout dans le monde; par conséquent, il est impératif que toute installation soit vérifiée afin d'éviter tout dégât concernant les câbles d'alimentation ou les connexions. Un personnel qualifié devrait identifier la source d'alimentation avant toute utilisation.

ATTENTION

Étant donné que l'USA 220-240 n'utilise pas de neutre, vous n'avez pas besoin d'en connecter un. Toutefois, en raison du manque de neutre, il est essentiel que tout équipement alimenté par un P-3600 AR G soit correctement mis à la terre ! Ne coupez jamais la broche de mise à la terre du câble d'alimentation et n'utilisez pas d'adaptateur sur votre équipement. La sortie neutre sera sous tension.

INSTRUCTIONS DE SÉCURITÉ IMPORTANTES

(Veuillez lire ceci avant toute installation)

1. Veuillez lire et observer toutes les instructions de sécurité et d'utilisation avant d'installer votre P-3600 AR G. Conservez ces instructions pour toute consultation ultérieure.
2. Votre P-3600 AR G ne doit pas être utilisé à proximité de l'eau - par exemple, près d'une baignoire, d'un bac de lavage, d'un évier de cuisine, d'une machine à laver, dans un sous-sol humide, ou près d'une piscine.
3. Ne placez pas votre P-3600 AR G près de sources de chaleur telles que les radiateurs, les registres de chaleur, les cuisinières, ou tout autre appareil produisant de la chaleur.
4. Votre P-3600 AR doit uniquement être connecté à une prise électrique mise à la terre. N'essayez pas d'utiliser le P-3600 AR G sans une mise à la terre correcte.
5. **AUCUN CÂBLE D'ALIMENTATION ÉLECTRIQUE N'EST FOURNI**, veuillez lire la section se rapportant aux câbles d'alimentation électrique de ce manuel. Ne connectez pas le P-3600 AR G avec un cordon de moindre épaisseur ou capacité qui ne soit pas capable de fournir une capacité opérationnelle complète (3600 Watts).
6. Disposez les câbles d'alimentation électrique choisis et/ou les autres câbles afin que l'on ne marche pas dessus, que l'on ne trébuche pas dessus, ou qu'ils ne soient étirés. Faites particulièrement attention à l'état des câbles et des cordons aux prises, ainsi qu'au point d'où ils sortent du P-3600 AR G de Furman. Afin d'éviter tout risque d'incendie ou de blessure, les cordons et les câbles endommagés doivent être remplacés immédiatement.
7. Nettoyez votre P-3600 AR G avec un tissu humide uniquement. N'utilisez pas de solvants ou de nettoyeurs abrasifs. Ne versez jamais de liquide sur ou l'intérieur de l'équipement.

8. Votre P-3600 AR G doit être entretenu par un personnel de maintenance qualifié lorsque :

- La connexion d'entrée montre des signes de dégâts dus à la chaleur
- Des objets sont tombés ou des liquides se sont écoulés à l'intérieur de l'équipement.
- L'équipement a été exposé à la pluie ou à une humidité extrême.
- L'équipement ne paraît pas fonctionner normalement.
- Le voyant de "Protection OK" n'est pas allumé.
- L'équipement est tombé, ou le boîtier a été endommagé.

9. Votre P-3600 AR G nécessite qu'une mise à la terre de sécurité soit présente pour permettre un fonctionnement correct. Toute tentative d'utilisation de l'équipement sans mise à la terre de sécurité est considérée comme une utilisation incorrecte et peut annuler la garantie.

10. Ne tentez pas de réparer votre P-3600 AR G au-delà de ce qui est décrit dans ce manuel. Toute autre réparation devrait être confiée à un personnel de maintenance qualifié.

Limitations du P-3600 AR G

L'alimentation CA est, dans une certaine mesure, imprévisible. La tension disponible peut varier d'un endroit à l'autre et d'un moment à l'autre. La forme d'onde peut ne pas être une onde sinusoïdale parfaite, et des bruits de haute ou de basse fréquence peuvent être présents. L'alimentation CA varie d'un pays à l'autre en termes de tension et de fréquence. Le P-3600 AR G est une solution unique en son genre qui élimine la majorité des problèmes que ces situations peuvent entraîner. Néanmoins, vous devez savoir qu'il y a certaines choses que le P-3600 AR G ne peut pas faire. Celles-ci comprennent, mais ne se limitent pas à :

- La protection contre les pertes de courant totales (interruption totale).
- Effectuer la conversion de fréquence à 60 Hz.
- Isoler un équipement qui n'est pas mis à la terre.
- Gérer une alimentation polyphasée.

CARACTÉRISTIQUES DU P-2400 AR DE FURMAN

- **Régulation de tension True RMS** - Un autotransformateur torique de 30 amp à très faible bruit avec microprocesseur de contrôle délivrant 120 VCA +/- 4% pour des plages de niveaux d'entrée sélectionnées automatiquement de 88 à 134V et de 170 à 264V
- **Technologie SMP double (Series Multi-Stage Protection)** - Protégeant contre les pointes et les surtensions transitoires
- **LiFT (Linear Filtering Technology)** - Technologie de filtrage linéaire sans altération de la mise à la terre
- **EVS (Arrêt en cas de tension excessive)** - Protégeant en cas de tension catastrophiques
- Détection d'erreur de câblage protégeant contre les mauvais câblages électriques
- Voltmètre d'entrée : un voltmètre numérique de précision de laboratoire permettant de vérifier la tension source
- Ampèremètre de sortie : un ampèremètre numérique True RMS permettant d'éviter les surcharges
- Voyant tricolore pour la plage de tension (complète la lecture numérique de la tension)
- Voyant LED de détection d'erreur de câblage, de température et de tension excessive
- Capacité de courant 30 amp - 3600 watts efficacement dans le monde entier
- Huit sorties CA régulées NEMA de 20 amp sur le panneau arrière et deux sorties NEMA de 20 amp sur le panneau frontal
- Une sortie régulée NEMA de 120V 30 amp à verrou tournant L-5 sur le panneau arrière
- Très faible fuite de champ magnétique parasite
- Connecteur d'entrée robuste de 120V 30A à verrou tournant L-14 destiné à la source d'alimentation CA (50/60 Hz, monophasé)
- Oreilles de montage sur bâti intégrée et réglable pour un l'intégration commerciale
- Poignées du panneau frontal détachable pour une économie d'espace lors de l'installation
- Garantie limitée de 5 ans

DÉFINITIONS DES FONCTIONNALITÉS

Technologie de régulation de tension True RMS

La régulation de tension True RMS au sein du P-3600 AR G est conçue autour d'un autotransformateur torique à très faible bruit de 10 prises. Un microprocesseur contrôle la tension RMS d'entrée avec chaque cycle, mesurant l'angle de phase parallèlement au cycle d'avancement. La majorité des régulateurs commerciaux de tension utilisant des transformateurs à prises multiples commutent les prises à des moments non contrôlés. Cela crée des pointes de tensions et des cliquetis qui peuvent parasiter l'audio. Lorsqu'une variation de tension nécessite une correction par le P-3600 AR G, la régulation de tension True RMS avance une nouvelle prise avec moins de contrainte et de cette façon évite la distorsion de la forme d'onde CA. L'hystérésis des circuits du P-3600 AR G

évite la commutation de l'une à l'autre des prises adjacentes (ou "murmures") caractéristique de bien des régulateurs de tension commerciaux. Si nécessaire, la technologie de régulation de tension True RMS peut commuter les prises deux fois par cycle avec un temps de récupération plus court que pour les régulateurs de tensions commerciaux. De plus et contrairement aux régulateurs de tension qui emploient des transformateurs ferromagnétiques, le P-3600 AR G n'est pas sensible aux petites erreurs de fréquence, le rendant idéal pour l'utilisation avec les générateurs. En outre, la conception torique de l'autotransformateur assure une fuite minimale des champs magnétiques parasites.

Le P-3600 AR G possède une portée de capacité basse de 88 VCA à 134 VCA et une portée de capacité haute de 170 VCA à 264 VCA. Il n'est pas nécessaire de sélectionner la portée. Le P-3600 AR G reconnaît automatiquement les tensions utilisables et le cas échéant, commence immédiatement à réguler. Cette portée de capture impressionnante assure une sortie de 120 VCA. Afin de fournir la tension CA régulée, le P-3600 AR G possède huit sorties sur le panneau arrière et deux sorties de courant sur le panneau frontal. Une sortie L5-30R capable de délivrer 30 amp se trouve également sur le panneau arrière. Toutes les sorties sont non seulement régulées, mais également dotées d'un parasurtenseur et filtrées linéairement, convertissant ainsi l'appareil en un conditionneur d'alimentation toutes fonctions.

Remarque : Le P-3600 AR G est à utiliser avec une tension CA uniquement. Les tensions DC ne doivent jamais être appliquées. De plus, il ne modifie ni ne régule la fréquence de la ligne. La fréquence de sortie sera toujours la même que celle d'entrée. L'appareil doit uniquement être branché à une prise électrique mise à la terre.

Parasurtenseur - Technologie Double SMP (Series Multi-Stage Protection)

Le parasurtenseur SMP (Series Multi-Stage Protection) de Furman élimine les appels de service et les coûteux temps de coupure. Les circuits de parasurtension traditionnels se sacrifient lorsqu'ils sont exposés à de multiples pointes de tension transitoires, imposant le démontage de votre système et la réparation du parasurtenseur. Ce n'est pas le cas avec le SMP de Furman. Avec le SMP, les tensions dangereuses transitoires sont absorbées en toute sécurité, contenues et dissipées. Votre équipement branché est protégé, tandis que votre P-3600 AR G se protège lui-même. La capacité de réglage automatique de tension SMP non parallèle est exclusive du P-3600 AR G. Tandis que d'autres appareils de gestion de l'alimentation autour du monde offrent un blocage des tensions bien au-dessus de la technologie SMP de Furman, la technologie double SMP bloque les pointes de 188V à 120V standards (pointe de 375V dans les applications 240V) - même lors des essais avec de multiples surtensions transitoires de 6000 Vpk/3000 amp. Ce niveau de protection sans précédent n'est disponible qu'avec la technologie SMP de Furman.

LiFT (Technologie de filtre linéaire)

La technologie de filtre linéaire (LiFT) de Furman réduit le bruit de la ligne CA de façon linéaire au travers d'une très large bande passante. Les filtres/conditionneurs CA traditionnels ont été conçus pour des conditions de laboratoire irréalistes - qu'elles soient de filtres à pôles multiples ou de série conventionnelle, les technologies précédentes pouvaient endommager les performances audio et vidéo, en raison de la pointe résonnante de leur conception antique et non linéaire. Dans certaines situations, ces appareils peuvent en fait ajouter plus de 10 dB de bruit à la ligne entrante CA. Pire encore, la perte de données numériques, le besoin de réinitialiser les présélections numériques, ou la destruction de convertisseurs numériques sont fréquemment causés par des pointes de tension excessive et du bruit CA contaminant la masse de l'équipement. Le LiFT de Furman réalise une approche différente, assurant une performance optimale grâce au filtre linéaire sans contamination, ou fuite, à la masse.

Protection contre tensions catastrophiques - Arrêt de tension excessive

Les circuits du réputé EVS (Arrêt de tension excessive) de Furman offrent une protection contre les situations de surtension catastrophiques. La technologie EVS surveille constamment la tension, et lorsque celle-ci grimpe jusqu'à un niveau dangereux pour plus d'un quart de seconde, ou si une erreur est détectée, elle coupe l'alimentation du circuit SMP et de tous les équipements connectés.

Détection d'erreur de câblage

La détection d'erreur de câblage, avec l'EVS, protège contre les connexions accidentelles aux neutres intermittents et les câbles d'alimentation mal connectés. Dans les deux cas, chaque circuit protège contre les situations catastrophiques en coupant l'alimentation entrante jusqu'à ce que le problème soit corrigé.

INTRODUCTION

Merci d'avoir acheté ce régulateur de tension/conditionneur d'alimentation Furman de série Prestige, et félicitations pour votre choix. Le P-3600 AR G a été précisément fabriqué pour satisfaire bien plus que les besoins critiques des studios d'enregistrement, des installations de diffusion, et des organisateurs de tournées à travers le monde. Cet appareil comprend des fonctionnalités telles que la régulation de tension True RMS de Furman, le circuit Series Multi-Stage Protection (SMP) et notre technologie exclusive de filtre linéaire (LiFT). Ensemble, ces technologies composent exactement ce que nos clients en sont venus à attendre de Furman : une protection et une épuration intransigeantes. Ces caractéristiques rendent le P-3600 AR G idéal en tant que composant d'un circuit de distribution d'alimentation pour une utilisation dans le monde entier, tolérant les tensions nationales de 100, 120, 220, 240, ou autres, avec la même facilité et sans besoin de réajustement.

Le P-3600 AR G de Furman est destiné à protéger les équipements électroniques sensibles contre les problèmes causés par les irrégularités ou les baisses de tension des lignes CA pouvant entraîner des changements des fréquences audio, une défaillance de l'équipement numérique (telle que la perte des programmes MIDI ou d'autres données), ou dans les cas extrêmes, des dégâts permanents. L'appareil tolère les entrées de tension d'une plage de tensions CA mondiale et les convertit en une tension de sortie fixe et stable de 120V (120V plus ou moins 4%). Les tensions se trouvant à plus ou moins 10% des valeurs de capture peuvent être converties à un niveau fonctionnel. Les amplificateurs, les consoles, et les stations numériques bénéficieront d'une tension stable car le P3600 AR G protège l'équipement et permet une performance optimale. Si vous voyagez à l'étranger, dérivez l'alimentation de générateurs, utilisez des cordons excessivement longs, ou si vous êtes dans une zone propice aux chutes de tension, vous posséderez un avantage remarquable grâce à l'utilisation du nouveau régulateur de tension P-3600 AR G de Furman.

DESCRIPTION

Mesures Et Voyants Du Panneau Frontal

Le P-3600 AR G offre des compteurs numériques de précision affichant la tension entrante par paliers de 1 volt et un ampèremètre RMS mesurant le courant par paliers de cinquième d'ampère. La précision du voltmètre est de +/- 1,5 volts et comprend un voyant de tension tricolore. Celui-ci indique à l'utilisateur si la tension se trouve dans ou en dehors d'une plage de valeurs sûres. L'ampèremètre mesure avec précision le flux de courant pour une analyse instantanée des conditions du système. Le panneau frontal inclut également des voyants concernant la température de fonctionnement et les erreurs de câblage permettant ainsi une surveillance intégrale.

Connexions

Le P-3600 AR G est équipé de dix sorties régulées CA NEMA de 20 amp; deux sorties de courant CA sur le panneau frontal et huit sorties sur le panneau arrière. Les sorties CA arrières comprennent une isolation de bruit distincte en deux batteries de condensateurs. Il y a deux disjoncteurs magnétiques SPST de 20 amp sur la façade du P-3600 AR G permettant une réinitialisation rapide dans le cas où le courant CA excéderait les tolérances de l'une des batteries de condensateurs assignée. Les disjoncteurs magnétiques destinés à la batterie A et B sont clairement indiqués sur le panneau frontal du P-3600 AR G. Le duplex du panneau frontal opposé aux disjoncteurs magnétiques doit être considéré comme une extension de la Batterie B et par conséquent toute dérive de courant au travers des prises de courant sera liée au disjoncteur magnétique de la Batterie B.

Dans le cas où une alimentation de 120 V et 30 amp est nécessaire, la prise NEMA L5-30R du panneau arrière fournit une source régulée et filtré de façon linéaire. Une fiche mâle CA à verrou tournant L5-30P pourra solidement être insérée dans la prise délivrant au P-3600AR G sa capacité complète. Le disjoncteur de courant d'appel / l'interrupteur d'alimentation principal agit en tant que premier dispositif de sécurité pour la prise L5-30R. Le disjoncteur magnétique et la prise L5-30R sont évalués à 30 amp à 120 volts ou 15 amp à 240 volts. Cette caractéristique découle de la capacité d'interruption automatique de la technologie de régulation de la tension du P-3600 AR G.

Une fiche femelle NEMA à verrou tournant L14-30R est fournie, permettant la connexion à la source de tension. La source d'alimentation de tension variera de continent en continent. Les productions de tournées peuvent nécessiter plus d'une configuration L14-30R en raison de la multitude de variantes existant dans le monde. Il est recommandé que des câbles d'alimentation électrique et des connecteurs à verrou tournant L14-30R soient connectés à l'avance selon les exigences électriques prévues afin d'assurer une installation rapide. Si vous avez la moindre question lors du branchement des connecteurs, veuillez contacter Furman pour obtenir de l'aide ou obtenez l'assistance d'un électricien agréé.

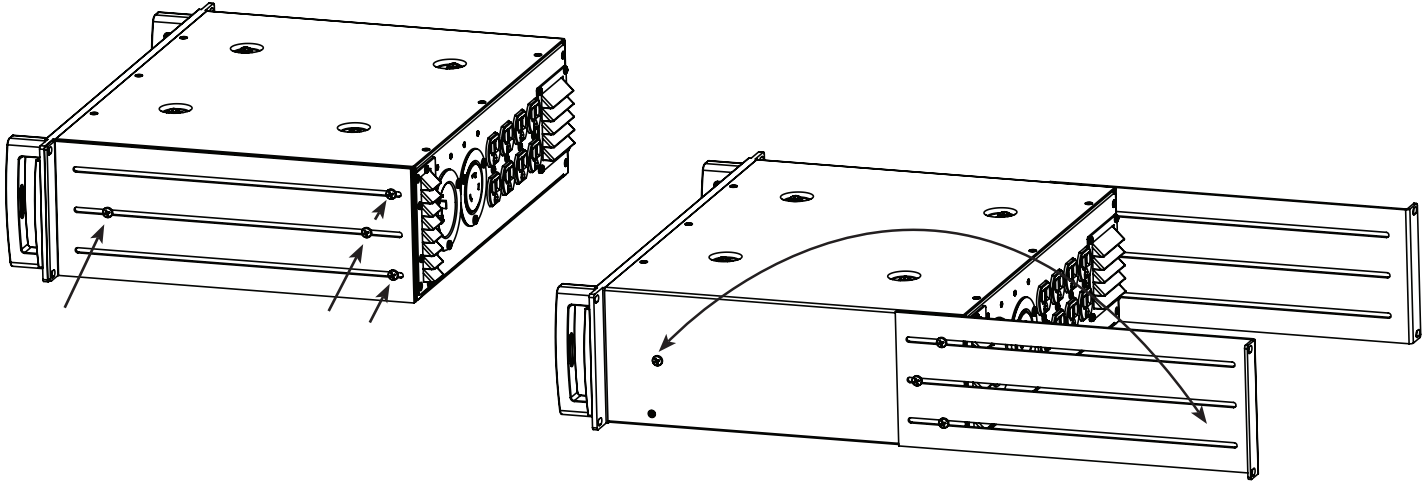
INSTALLATION

En raison de la conception du transformateur torique, le P-3600 AR G de Furman peut être disposé près de la plupart des autres équipements sans crainte de parasitage dû à une fuite de champ magnétique de 50/60 Hz. Malgré tout, l'emplacement suggéré sur le bâti est au sommet ou à la base. Faites preuve de prudence lors du chargement ou du montage sur bâti du P-3600 AR G. Son poids peut s'avérer imposant et vous aurez peut-être besoin d'aide. Demandez de l'aide lors du montage sur bâti du P-3600 AR G.

Les oreilles de montage sur bâti sont situées de chaque côté du P-3600 AR G. Les oreilles réglables doivent être retirées avant toute utilisation de rails pour bâti. Les oreilles de montage sur bâti peuvent être utilisées conjointement avec les oreilles du châssis du panneau frontal, si aucun rail pour bâti n'est disponible. Comme pour tout équipement de montage sur bâti, assurez-vous d'utiliser des vis de mécanique de 10-32 pour le montage dans les trous taraudés du bâti (il ne s'agit pas d'une taille métrique). Faites attention aux vis de 10-24 en particulier, elles peuvent correspondre en forçant mais elles abîmeront le filet. Afin d'éviter de rayer la finition du panneau frontal, utilisez des rondelles en plastique sous les têtes des vis. Tandis que dans le support, vous pouvez enlever les poignées de panneau avant de P-3600 AR G.

Montage sur bâti :

Si vous installez le P-3600 AR G dans un bâti qui possède des rails de montage arrière et frontaux, vous pouvez facilement le fixer à l'arrière de votre bâti. Retirez simplement les vis de fixation des flancs* et de la façade des oreilles de montage réglables du P-3600 AR G ainsi que des plaques latérales de renforcement (situées sur chaque côté du châssis), inversez-les et rattachez-les au châssis du P-3600 AR G (Voir l'illustration ci-dessous).



* **REMARQUE :** Veuillez utiliser les vis qui sont fournies. Si des vis doivent être obtenues ailleurs, n'utilisez pas les vis longtemps que 5/16 de pouce. Les vis plus longtemps que 5/16 » peuvent entrer en contact avec les composants internes rendant l'unité inopérable.

Connecteur d'entrée L14-30R et câble d'alimentation électrique :

Le P-3600 AR G est accompagné d'un connecteur femelle à verrou tournant L14-30R. AUCUN CÂBLE D'ALIMENTATION ÉLECTRIQUE N'EST FOURNI. En raison des nombreuses différences concernant les codes de conformité électrique autour du monde et des besoins en longueur de câble différents pour chaque installation, il est impossible d'inclure un câble d'alimentation avec votre P-3600 AR G. Le connecteur (à monter sur le câble) correspondant au connecteur à verrou tournant du P-3600 AR G est fourni, mais il est du ressort du personnel qualifié de le fixer sur le câble d'alimentation électrique de calibre, nombre de conducteurs, longueur et connecteur vers la source appropriés.

Choisir le câble d'alimentation :

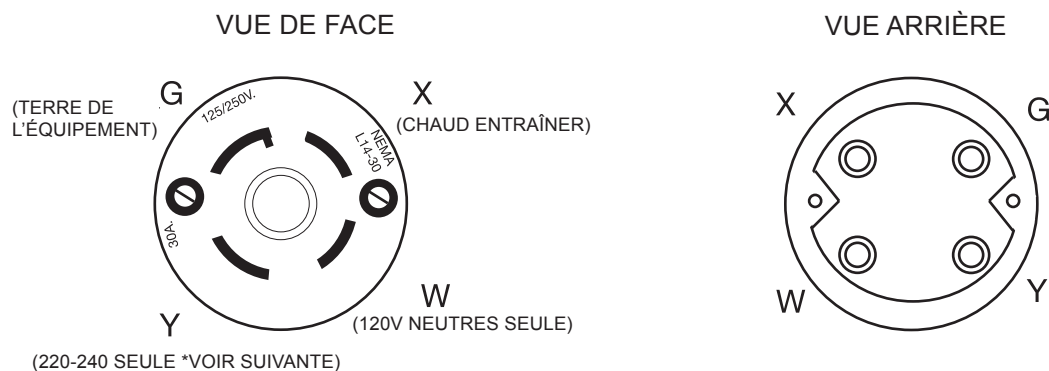
Pour un fonctionnement nominal de 120 VCA, un câble de 3 conducteurs et d'au moins 10 AWG (0,101"/2,56mm de diamètre) doit être utilisé, selon la distance de la source d'alimentation.

Pour un fonctionnement nominal de 208-240 VCA, un câble de 3 conducteurs et d'au moins 14 AWG (0,064"/1,62mm de diamètre) doit être utilisé, selon la distance de la source d'alimentation.

L'utilisation d'un câble avec gaine en caoutchouc est fortement recommandée pour permettre une meilleure flexibilité et une résistance à l'abrasion. Il est possible d'utiliser un câble à 4 conducteurs, mais il n'est pas nécessaire de le faire et cela n'est pas recommandé.

Instructions de câblage du câble d'alimentation :

Reportez-vous aux diagrammes suivants pour le câblage du connecteur à verrou tournant :



Conditions générales de câblage :

Gamme de tension basse (88 à 133VAC, 30A max) est appliquée entre X et W.
Gamme de tension élevée (170 à 265VAC, 15A max) est appliquée entre X et Y.
G est toujours au sol équipement.

Pour le câblage 120V :

Le fil chaud mènent à X (noir en Amérique du Nord).
Câblez le neutre mènent à W (blanc en Amérique du Nord).
Câblez l'équipement rectifié à G (vert en Amérique du Nord).

Câblage de 220-240V USA :

Le fil chaud mènent à X (noir en Amérique du Nord).
Le fil chaud mènent à Y (rouge ou bleu en Amérique du Nord) *.
Câblez l'équipement rectifié à G (vert en Amérique du Nord).

Câblage de 220-240V l'Europe :

Le fil chaud mènent à X (brun, ou à noir avec les raies blanches en Europe).
Le fil neutre mènent à Y (bleu en Europe) *.
Câblez l'équipement rectifié à G (vert avec la raie jaune en Europe).

Connecteur à la source sur le câble d'alimentation :

Le connecteur utilisé à la source doit être évalué à au moins 250V-15A pour un fonctionnement en tension haute, ou 120V-30A pour un fonctionnement en tension basse. Dans le doute, consultez un électricien agréé lors de l'installation de votre P-3600 AR G.

FONCTIONNEMENT**Interrupteur de résistance magnétique ultra-basse / disjoncteur :**

L'interrupteur / disjoncteur de capacité de 30 amp de la série Prestige de Furman est spécialement conçu pour supporter d'énormes appels de courant de nombreux amplificateurs de puissance. De plus, les disjoncteurs magnétiques de Furman sont insensibles à la température, et ils n'augmentent pas l'impédance CA contrairement à bon nombre de disjoncteurs thermiques bon marché. Si la capacité de courant RMS de 30 amp du P-3600 AR G est dépassée, l'interrupteur à ressort se réinitialisera immédiatement en position "Off". Vous aurez besoin de replacer l'interrupteur en position "On" une fois le problème corrigé (généralement en débranchant un composant) ou le courant RMS inférieur à 30 amp (3600 watts).

Capacité de courant totale (charge maximale et minimale) :

Le P-3600 AR G peut supporter des charges allant jusque 30 ampères (3600 watts) aussi longtemps que la tension d'entrée est égale ou supérieure à 120 volts (basse) ou 240 volts (haute). Pour les tensions inférieures à ce niveau, sa capacité doit être dévaluée à environ 170 milliampères par volt (voir l'illustration n°2 située à la fin de cette section). Du point de vue pratique, afin de faire face aux pires situations de baisse de tension, vous devriez planifier votre charge totale afin qu'elle ne dépasse pas les 22,5 ampères ou les 2700 watts. Veuillez noter que cela fait référence au besoin en énergie de la totalité des équipements branché au P-3600 AR G, pas au besoin de chacun d'entre eux.

REMARQUE : Vu qu'il n'existe aucune charge minimale pour le P-3600 AR G, vous pourrez entendre un bourdonnement mécanique venant directement de l'appareil si l'interrupteur est allumé sans qu'aucun équipement ne soit branché. Généralement, cela s'arrête une fois que l'appareil obtient une charge de 50 watts ou plus.

Voltmètre numérique :

Le voltmètre CA numérique de haute précision Furman se trouve sur le panneau frontal, du côté gauche. Le voltmètre mesure continuellement les tensions entrantes au sein d'une tolérance typique de +/- 1,5 VCA. Il doit être précisé que la lecture de tension est déterminée par la source CA entrante. Les voyants LED supplémentaires de PROTECTION OK, EXTREME VOLTAGE (tension extrême) et VOLTAGE RANGE (plage de tension) sont situés sur la lentille du voltmètre à côté de la lecture de la tension.

Voyant LED Protection OK :

La "Protection OK" LED est normalement éclatante. Bien que le circuit SMP de Furman assure une protection contre les surtensions transitoires, la nature a le pouvoir de créer occasionnellement des forces électriques qui sont bien au-delà des capacités de tout appareil TVSS destiné à les absorber sans dégât (c'est par exemple le cas de d'un coup de foudre direct sur l'un des composants extérieurs). Dans les rares cas où cela se produirait, le voyant vert "Protection OK" (situé en bas à droit du voltmètre) ne s'allumera pas. Si cela se produit, un certain niveau de protection contre les surtensions sera conservé, mais le taux de blocage de tension de Furman sera compromis. L'équipement devra être renvoyé à Furman.

Voyant LED d'extinction en cas de tension extrême :

Le voyant LED de tension extrême est normalement éteint. Il est situé dans la lentille du voltmètre, centré directement au-dessus de le voyant LED bleu du voltmètre, bien que lors du fonctionnement normal, il ne sera PAS visible. Le circuit EVS de Furman per-

çoit les tensions si hautes que le fonctionnement serait impossible et coupe l'alimentation avant que des dégâts aient lieu. Dès l'application initiale de l'alimentation au P-3600 AR G, le voyant de tension extrême s'allumera en rouge brillant si la tension d'entrée dépasse la tension extrême de coupure. Lorsque cela se produit, l'alimentation ne sera pas transférée vers les prises du P-3600 AR G. Si l'appareil a fonctionné avec une tension d'entrée acceptable et qu'une tension dépasse soudainement les 145V au niveau de 120V ou les 275V au niveau de 240V, l'appareil coupe l'alimentation de ses prises et le voyant LED de tension extrême s'allume.

REMARQUE : Si l'alimentation principale dépasse la haute tension de coupure et a entraîné la coupure de l'alimentation des prises du P-3600 AR G par l'EVS, il ne peut pas restaurer l'alimentation sans l'intervention manuelle de l'opérateur qui éteindra l'appareil et l'allumera à nouveau. Évitez de rallumer l'appareil sans vérifier d'abord la source du problème et peut-être changer la source CA.

Voyant LED de plage de tension :

Ce voyant tricolore de plage de tension est situé dans le coin inférieur gauche de la lentille du voltmètre digital. Lorsque la tension entrante CA se trouve dans les limites de capture du P-3600 AR G, le voyant tricolore sera vert (optimal), indiquant que l'appareil est en régulation. Toutefois, si le régulateur rencontre une situation transitoire, le voyant sera de couleur orange (attention). Cette indication orange apparaît lorsqu'il y a des changements excessifs ou de soudaines oscillations au niveau de l'entrée (+/- 10 volts). Si la tension d'entrée est en dehors de la plage de capture, le voyant sera rouge, par exemple sous les 88V ou au-dessus de 134V pour une source de 100V à 120V; sous les 170V ou au-dessus de 264V pour les sources de 208V à 240V. Les avertissements rouges indiquent que la tension d'entrée est bien loin de son niveau optimal et bien au-delà des limites de la plage de capture offrant une source de tension constante. Dans ce cas, le P-3600 AR G continuera de réguler à partir de la dernière prise de l'autotransformateur, fournissant une tension de sortie aussi proche de 120V que possible (par exemple, une tension d'entrée de 92V reviendrait à 110V à la sortie). Lors de l'utilisation du P-3600 AR G dans des applications critiques où la sortie de 120V est la principale préoccupation, l'indication rouge est précieuse.

Ampèremètre True RMS :

L'ampèremètre True RMS de Furman est situé sur le côté droit du panneau frontal, mesurant constamment la charge total du circuit CA, avec une tolérance typique de +/- 0,5 ampères. Vu que l'ampèremètre comprend la technologie True RMS, les lectures du courant sont précises quelles que soient les conditions de la charge (capacitive, inductive ou résistive).

Voyant LED d'erreur de câblage :

Le voyant d'erreur de câblage contrôle les erreurs communes dans l'industrie du spectacle. Par exemple, une erreur de câblage peut avoir lieu suite à la connexion accidentelle d'un conducteur neutre au panneau électrique de service. Le voyant d'erreur de câblage est un voyant LED rouge situé en bas à droite de l'ampèremètre. Cette fonctionnalité fonctionne conjointement avec le circuit EVS Furman assurant une protection maximale des circuits incorrectement câblés et des connecteurs à verrou tournant incorrectement câblés. Si le voyant est illuminé, le P-3600 AR G ne fonctionnera pas jusqu'à ce que l'erreur de câblage soit corrigée.

Voyant LED de plage de température :

Situé en bas à gauche de l'affichage de l'ampèremètre, le voyant LED de plage de température fournit des informations de diagnostic concernant l'environnement ambiant interne du régulateur de tension P-3600 AR G. Ce voyant LED bicolore est de couleur verte lorsque la température est favorable à l'autotransformateur. Il peut basculer vers la couleur orange lorsque la température devient moins favorable.

Voyant LED de température extrême :

Bien que les environnements puissent être anticipés, tout ne peut pas être prévu. Dans des environnements sujets à des températures très élevées, combinées avec des flux de courant soutenus, il est possible que la température maximale autorisée du P-3600 AR G soit dépassée. Si cette situation se produit, l'appareil provoquera l'arrêt thermique afin d'assurer sa sécurité. Le voyant de température extrême (situé dans la lentille de l'ampèremètre, centré directement au-dessus du voyant bleu du courant) s'allumera lorsque la température maximale est atteinte et que l'alimentation vers toutes les prises du P-3600 AR G aura été coupée. Notez que le P-3600 AR G possède un ventilateur interne afin de fournir un refroidissement en cas de températures extrêmes.

DÉPANNAGE

1.) Symptôme : Pas d'alimentation aux prises CA; le voyant "Protection OK" n'est pas allumé.

Cause possible : La prise CA à laquelle votre P-3600 AR G est branché n'a pas de tension CA, ou les circuits de l'appareil ont été endommagés.

Solution : Branchez le P-3600 AR sur une prise CA ayant une tension nominale de 120 VCA. Si le problème persiste, les circuits internes peuvent être endommagés et l'appareil nécessitera une maintenance en usine (voir la section "Entretien" située plus bas).

2.) Symptôme : Voyant de tension excessive allumé.

Cause possible : La tension d'entrée dépasse les 140 volts ou les 275 volts entraînant la coupure de l'alimentation des prises.

Solution : Corrigez la tension, et éteignez ensuite le P-3600 AR G pour le rallumer de suite au moyen de l'interrupteur d'alimentation principal.

3) Symptôme : Le voyant de plage de température est allumé en orange.

Cause possible : La température interne de l'autotransformateur du P-3600 AR G approche de sa valeur limite.

Solution : L'opérateur devrait vérifier qu'il y ait suffisamment d'espace autour du P-3600 AR G, que le ventilateur fonctionne, les deux fentes d'aération ne soient pas obstruées, que la charge ne soit pas excessive, et que la température de l'air ambiant de soit pas trop élevée.

ATTENTION : Si la température du P-3600 ARG continue de grimper, le P-3600 ARG doit être éteint afin d'éviter tout dégât. Si le P-3600 ARG est coupé en raison de la température, il peut prendre un certain temps à refroidir avant de pouvoir être rallumé.

Symptôme : Le voyant de température extrême est allumé.

Cause possible : La température interne de l'autotransformateur P-3600 AR G a dépassé les niveaux de fonctionnement sûrs et l'appareil s'est éteint en raison de la température.

Solution : L'opérateur devrait vérifier qu'il y ait suffisamment d'espace autour du P-3600 AR G, que le ventilateur fonctionne, les deux fentes d'aération ne soient pas obstruées, que la charge ne soit pas excessive, et que la température de l'air ambiant de soit pas trop élevée. Le ventilateur continuera de fonctionner et de faire circuler de l'air même lorsque l'appareil sera éteint dans cet état. L'appareil sera rallumé dès que la température interne de l'autotransformateur aura diminuée.

REMARQUE : En raison de la masse thermique importante de l'autotransformateur P-3600 ARG, dès que l'autotransformateur atteindra sa limite de température, il prendra un certain temps pour refroidir.

ENTRETIEN

Les questions et les problèmes concernant votre équipement Furman doivent être dirigés au département du service clientèle de Furman, disponible de 8h du matin à 4h de l'après-midi au numéro (877) 486-4738 ou via courriel à l'adresse info@furmansound.com. Si un équipement nécessite un entretien il doit posséder un numéro d'autorisation de renvoi assigné auprès du département du service clientèle de Furman.

Avant de renvoyer tout équipement pour réparation, veuillez vous assurer qu'il soit correctement emballé et protégé contre les dégâts pouvant être causés par le transport, et qu'il soit assuré. Nous vous recommandons de conserver l'emballage original et de l'utiliser lors de l'envoi du produit pour l'entretien. De plus, veuillez y joindre une brève description du problème en indiquant votre nom, adresse et numéro de téléphone. Veuillez indiquer votre numéro AR de façon visible sur tous les emballages.

GARANTIE LIMITÉE DE 5 ANS

CONSERVEZ VOTRE RECU ! Le reçu est votre preuve d'achat et confirme que le produit a été acheté auprès d'un revendeur autorisé par Furman. Il devra être envoyé à Furman afin de procéder à toute réclamation de garantie.

Furman, une marque de Panamax LLC., garantit son P-3600 AR G (le "Produit") comme suit :

Furman garantit à l'acheteur original du produit que ce dernier est libre de tout défaut de pièce ou de fabrication pour une période de cinq ans à compter de la date d'achat. Si le produit n'est pas conforme à cette garantie limitée au cours de la période de garantie (tel que spécifié ci-dessus), l'acheteur devra notifier Furman des défauts en appelant le 877-486-4738 ou via courriel à l'adresse info@furmansound.com. Si les défauts sont du type et de nature à être couverts par cette garantie, Furman autorisera l'acheteur à renvoyer le produit auprès du siège de Furman. Les réclamations DOIVENT être accompagnées d'une copie de la facture d'achat originale ou du reçu prouvant la date d'achat. Les frais de transport auprès du siège de Furman doivent être affranchis par l'acheteur du produit. Furman devra, à ses propres frais, fournir un produit de remplacement ou, selon le choix de Furman, réparer le produit défectueux. Les frais de transport de retour à l'acheteur seront payés par Furman.

LES INFORMATIONS PRÉCITÉES REMPLACENT TOUTE AUTRE GARANTIE, EXPRESSE OU IMPLICITE, COMPRENANT MAIS NE SE LIMITANT PAS AUX GARANTIES IMPLICITES DE CONFORMITÉ ET D'USAGE NORMAL POUR UN USAGE PARTICULIER.

Furman ne garantit pas le produit contre tout dégât ou défaut dû à l'utilisation incorrecte, à la manipulation anormale du produit, ou à son installation incorrecte. Cette garantie sera annulée par Furman, à sa discrétion, si le produit est modifié de quelque façon que ce soit sans autorisation écrite de Furman ou de Panamax LLC. Cette garantie ne s'applique pas aux produits sur lesquels une réparation a été effectuée ou tentée de la part de toute personne ne possédant aucune autorisation écrite de Furman ou Panamax LLC.

CETTE GARANTIE EST EXCLUSIVE. L'obligation unique et exclusive de Furman est de réparer ou remplacer le produit défectueux de la façon et pour la période décrites ci-dessus. Furman ne sera sujet à aucune autre obligation concernant les produits ou toute pièce de ces derniers, que cela soit basé sur un contrat, à tort, de responsabilité stricte ou autre. En aucun cas, que cela soit basé

sur cette garantie limitée ou autre, Furman ne sera tenu pour responsable de dommages accessoire, spéciaux ou conséquents. Cette garantie limitée présente l'entière obligation de Furman concernant le produit. Si toute partie de cette garantie limitée s'avère nulle ou illégale, le reste demeurera d'application et de plein effet.

CARACTÉRISTIQUES

COURANT MAXIMUM :

30 AMP

RÉGULATION DE LA TENSION :

120 VCA ($\pm 4\%$)

PLAGE DE RÉGULATION :

(BASSE) 88-134 VCA à 50/60Hz,

(HAUTE) 174-268 VCA à 50/60Hz

ARRÊT DE SURTENSION :

145 VCA NOMINAL (ENTRÉE 120VCA)

275 VCA NOMINAL (ENTRÉE 240VCA)

MODES DE PROTECTIONS CONTRE POINTES DE TENSION :

DU RÉSEAU AU NEUTRE, AUCUNE FUITE DE MISE À LA TERRE

TENSION DE BLOCAGE DES POINTES :

188V POINTE à 3,000 AMP

TEMPS DE RÉPONSE :

1 NANOSECONDE

COURANT MAXIMUM DE SURTENSION :

6,500 AMP

ATTÉNUATION DU BRUIT :

10 DB à 10KHZ, 40 DB à 100 KHZ,

55 DB à 500KHZ

PRISES DE COURANT (PANNEAU FRONTAL) :

DEUX PRISES NEMA-20 120V 20A

PRISES DE COURANT (PANNEAU ARRIÈRE) :

UNE PRISE FEMELLE 120V L-5 30A, HUIT PRISES NEMA-20 120V 20A

ENTRÉE CA :

PRISE MÂLE L-14 À VERROU TOURNANT (CONNECTEUR À VERROU TOURNANT À MONTER SUR CÂBLE FOURNI)

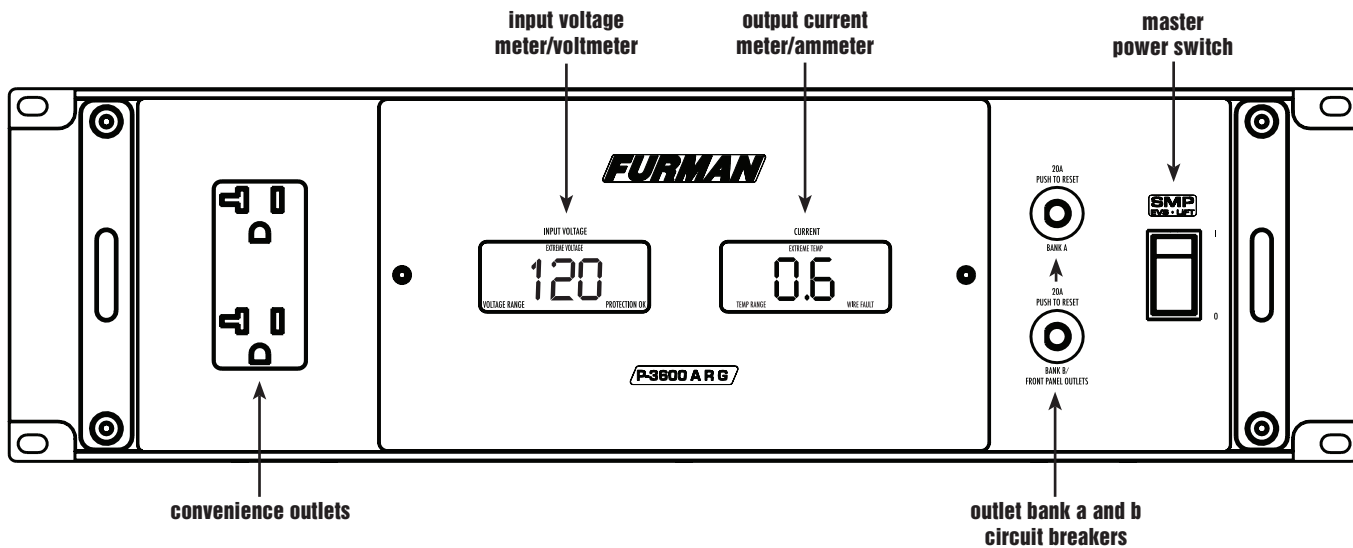
DIMENSIONS :

19" L x 14.25" P x 5.25" H (483mm L X 362mm P x 133mm H)

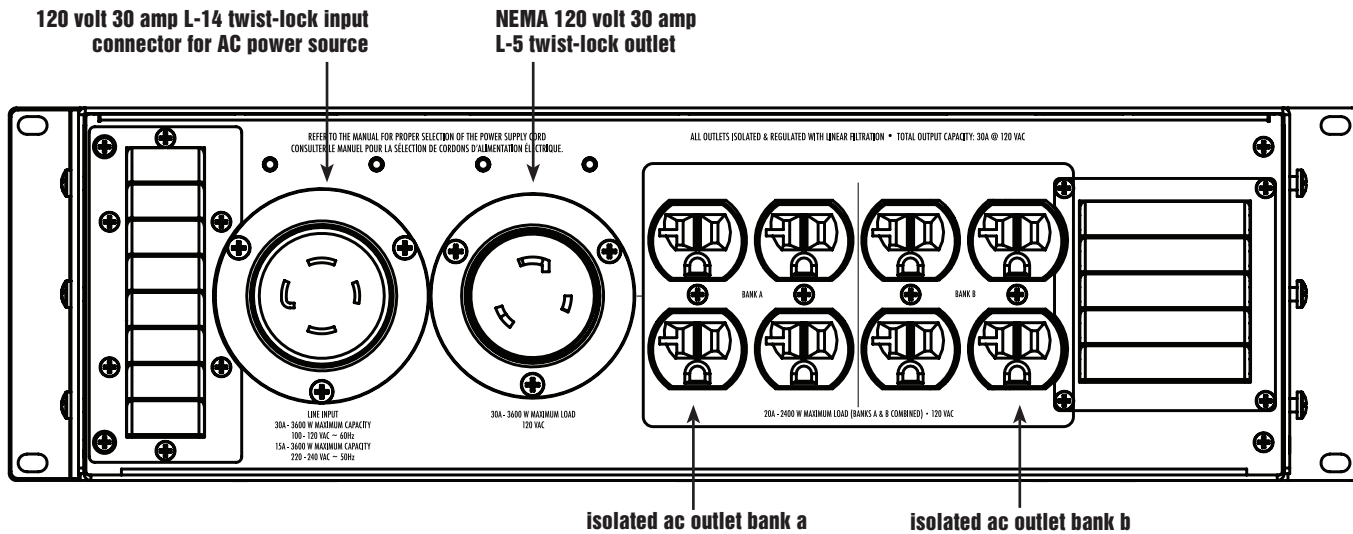
POIDS :

98 LBS. (44.5 KG.)

P-3600 AR G PANNEAU AVANT

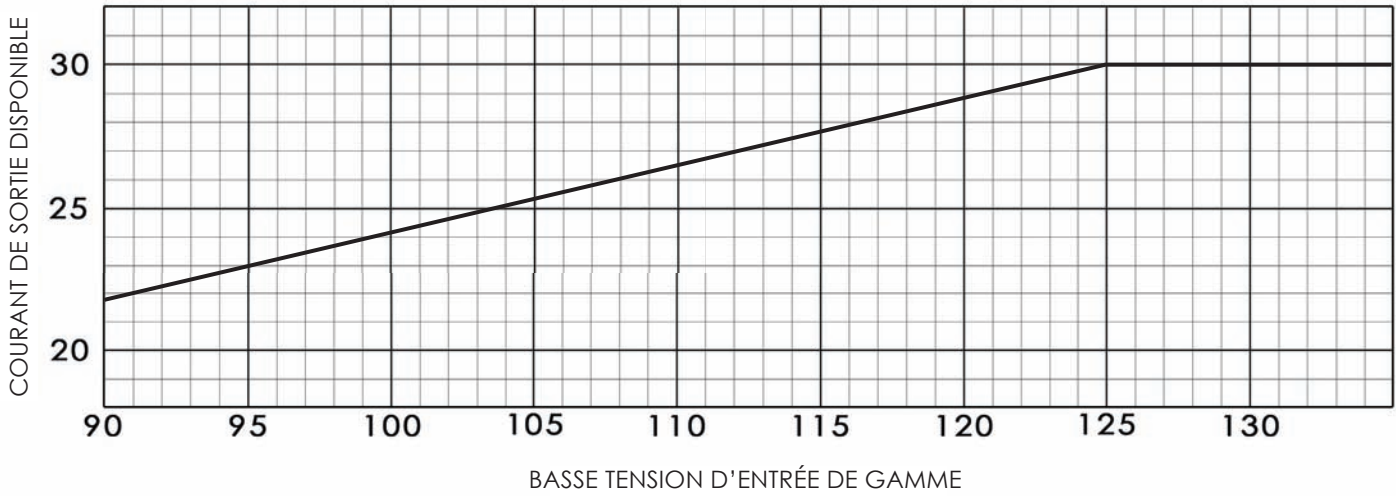


P-3600 AR G ARRIÈRE PAN



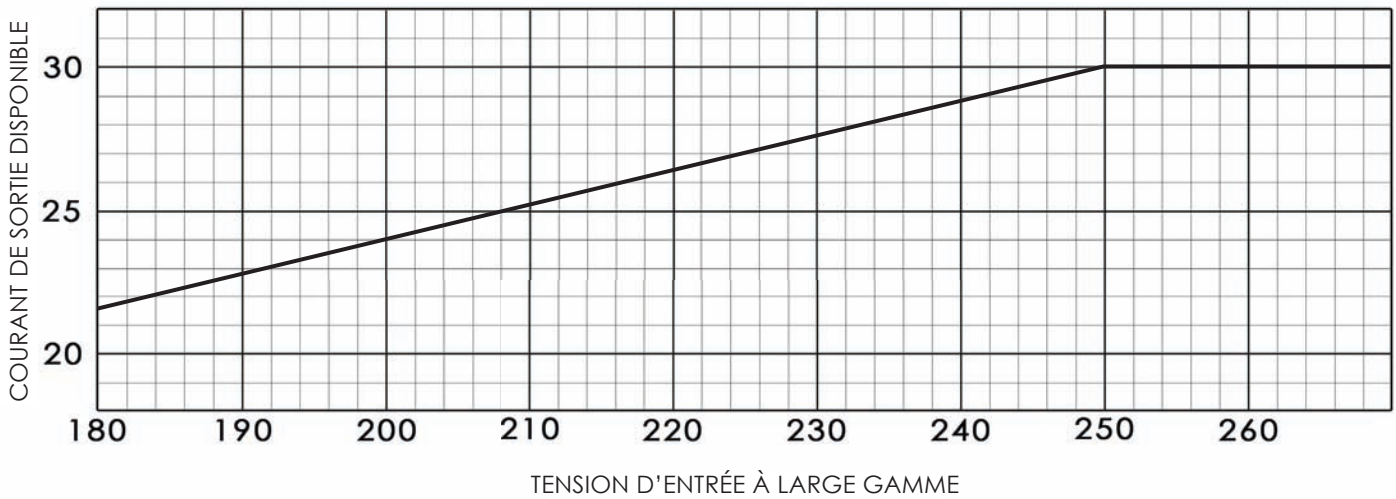
LOW INPUT CURRENT VS. VOLTAGE GRAPH

P-3600 AR G UN COURANT DE SORTIE DISPONIBLE DE CONTRE LA TENSION D'ENTRÉE



HIGH INPUT CURRENT VS. VOLTAGE GRAPH

P-3600 AR G UN COURANT DE SORTIE DISPONIBLE DE CONTRE LA TENSION D'ENTRÉE



¡IMPORTANTE!

1. Inspeccione minuciosamente su P-3600 AR G para determinar si existen daños que pudiesen haber ocurrido durante el envío. Cualquier daño de esta naturaleza es responsabilidad del transportista. Si fuera necesario, presente un reclamo directamente a la empresa.
2. El P-3600 AR G es un instrumento electrónico complejo con varias opciones de cableado. No se puede simplemente “enchufar y listo”. El cable de alimentación debe ser el adecuado para sus necesidades de instalación. Lea este manual detenidamente, especialmente las secciones de Instalación y Operación. Si tiene alguna duda, solicite la ayuda de un electricista licenciado.
3. A fin de asegurar una protección total en virtud de los términos de la Garantía Limitada, informe a Furman sobre cualquier defecto, llamando al 877-486-4738 o por correo electrónico (techsupport@furmansound.com) de inmediato. Verifique que el número de serie que figura en los documentos de envío coincida con el número de serie de su unidad.
4. Conserve su recibo de ventas; este es el comprobante de su compra y lo necesitará para tramitar cualquier reclamo de garantía.

INFORMACIÓN DE SEGURIDAD

Para obtener los mejores resultados de su P-3600 AR G de Furman, lea este manual detenidamente antes de utilizarlo.

ADVERTENCIA

Para reducir el riesgo de choque eléctrico, no exponga este equipo a la lluvia o la humedad. Si es que hay voltajes altos peligrosos dentro del recinto. No retire la cubierta. El servicio técnico solo puede ser realizado por personal calificado.

ADVERTENCIA

El P-3600 AR G es un robusto dispositivo de manejo de potencia CA de calidad contratista. Por lo tanto, no debe pensarse que una sola persona puede manipular fácilmente el peso del regulador de voltaje P-3600 AR G. Tenga precaución al cargar o instalar la unidad. Recuerde la seguridad en primer lugar y solicite ayuda cuando sea necesario.

ADVERTENCIA

Verifique el voltaje de la entrada eléctrica antes de seleccionar una configuración L14-30. El P-3600 AR G puede utilizarse en cualquier lugar del mundo. Por lo tanto, es necesario verificar cualquier instalación para evitar lesiones personales o daños en los cables de alimentación o las conexiones. El personal calificado debe identificar el voltaje de la fuente de energía antes de ponerlo en funcionamiento.

ADVERTENCIA

Dado que los 220-240 de los EE. UU. no utilizan un neutro, no es necesario realizar el cableado de este. No obstante, debido a la falta de un neutro, es fundamental que todo el equipo alimentado por un P-3600 AR G esté correctamente conectado a tierra. Nunca corte el terminal a tierra del cable de energía ni utilice un adaptador “que engañe” en sus equipos. El neutro de salida tendrá voltaje.

INSTRUCCIONES DE SEGURIDAD IMPORTANTES

(Lea antes de realizar la instalación)

1. Lea y cumpla con todas las instrucciones de seguridad y de operación antes de instalar su P-3600 AR G. Conserve estas instrucciones para poder consultarlas en el futuro.
2. Su P-3600 AR G no se debe utilizar cerca del agua; por ejemplo, cerca de una bañera, un lavatorio un fregadero de cocina, una pileta de lavadero, en un sótano mojado o cerca de una piscina.
3. No coloque su P-3600 AR G cerca de fuentes con altas temperaturas, como radiadores, salidas de aire caliente, hornillas u otros electrodomésticos que produzcan mucho calor.
4. Su P-3600 AR G solo debe conectarse a una fuente de electricidad con conexión a tierra. No opere el P-3600 AR G sin una conexión a tierra de seguridad adecuada.
5. **NO SE SUMINISTRA NINGÚN CABLE DE ALIMENTACIÓN**, lea la sección sobre los cables de alimentación eléctrica en este manual. No conecte el P-3600 AR G con un cable y conector de menor calibre o inferior que no pueda proporcionar una capacidad operativa total (3.600 vatios).
6. Coloque el cable de alimentación eléctrico elegido u otros cables de manera que nadie los pise, tropiece sobre ellos o los someta a esfuerzo. Preste particular atención al estado de los cables y los enchufes y en el punto donde salen del P-3600 AR G Furman. A fin de evitar el riesgo de incendio o lesiones personales, los cables y cordones dañados deben reemplazarse de inmediato.
7. Limpie su P-3600 AR G con un trapo húmedo solamente. No utilice solventes o limpiadores abrasivos. Nunca vierta líquidos sobre o dentro de la unidad.
8. El personal calificado debe realizar el servicio técnico de su P-3600 AR G cuando:

- La conexión de entrada muestra signos de daño térmico.
 - Hayan caído objetos sobre la unidad o se haya derramado líquido sobre ella.
 - La unidad haya estado expuesta a la lluvia o mucha humedad.
 - La unidad parezca no funcionar normalmente.
 - El indicador de “Protección correcta” no esté encendido.
 - La unidad se haya caído o el recinto esté dañado.
9. Su P-3600 AR G requiere que haya una conexión a tierra de seguridad presente para su funcionamiento correcto. Cualquier intento de operar la unidad sin una conexión a tierra de seguridad se considera operación incorrecta y podría invalidar la garantía.
9. Su P-3600 AR G requiere que haya una conexión a tierra de seguridad presente para su funcionamiento correcto. Cualquier intento de operar la unidad sin una conexión a tierra de seguridad se considera operación incorrecta y podría invalidar la garantía.
10. No intente realizar tareas de servicio técnico de su P-3600 AR G que no estén descritas en este manual. Todas las otras tareas deben ser realizadas por personal calificado.

Limitaciones del P-3600 AR G

Hasta cierto punto, la corriente CA es impredecible. El voltaje disponible puede variar de lugar a lugar y de momento a momento. Es posible que la onda no sea una onda senoidal perfecta y puede haber ruido de baja o alta frecuencia. Además, la corriente CA varía de país a país en términos de voltaje y frecuencia. El P-3600 AR G es una solución única que eliminará muchos de los problemas causados por estas cuestiones. No obstante, debe tener en cuenta que hay ciertas cosas que el P-3600 AR G no puede hacer. Estas incluyen, entre otras:

- Protección contra la pérdida total de energía (apagones).
- Conversión de frecuencia a 60 Hz.
- Aislamiento del equipo no conectado a tierra.
- Manejo de energía multifásica.

CARACTERÍSTICAS DEL P-3600 AR G DE FURMAN

- **Regulación del voltaje en RMS verdadero** - un autotransformador toroidal de ruido ultra bajo de 30 amperios con control de microprocesador que entrega 120 VCA \pm 4% en total dentro de rangos autoselectivos de voltaje de entrada de 88 a 134 voltios y de 170 a 264 voltios
- **Tecnología SMP dual (protección de serie multietapas)** - que brinda protección contra sobretensiones y picos de voltaje transitorios
- **Tecnología LiFT (tecnología de filtrado lineal)** - que filtra el ruido en la línea de CA
- **EVS (apagado por voltaje extremo)** - que brinda protección contra las condiciones de voltaje catastróficas
- Detección de fallas de cableado que protege contra corrientes de alimentación eléctrica con conexiones deficientes
- Voltímetro de entrada: un voltímetro de precisión de laboratorio digital para verificar el voltaje de la fuente
- Amperímetro de salida: un amperímetro digital de RMS verdadero para evitar sobrecargas
- Indicador tricolor de rango de voltaje (complementa la lectura de voltaje numérica)
- Detección LED de fallas de cableado, temperatura y voltaje extremo
- Capacidad de corriente de 30 amperios - 3600 vatios con eficacia en todo el mundo
- Ocho tomacorrientes de CA regulados NEMA de 20 amperios en el panel trasero y dos tomacorrientes NEMA de 20 amperios en el panel delantero
- Un tomacorriente regulado NEMA de 120 voltios, 30 amperios, L5, de cierre por torsión en el panel trasero
- Fuga muy baja de los campos de dispersión magnética
- Sólido conector de entrada de 120 V, 30 amperios, L14, de cierre por torsión para corriente CA de la fuente de alimentación (50/60 Hz, monofásica)
- Orejetas de montaje incorporadas en la parte trasera para la integración comercial
- Manijas desmontables en el panel delantero para instalaciones en espacios reducidos
- Garantía limitada de cinco años

DEFINICIONES DE LAS CARACTERÍSTICAS

Tecnología de regulación del voltaje en RMS verdadero

La regulación del voltaje en RMS verdadero en el P-3600 AR G, está diseñada en torno a un autotransformador toroidal de 10

derivaciones de ruido ultra bajo. Un microprocesador controla el voltaje en RMS entrante en cada ciclo y mide el ángulo de fase en sincronización al ciclo de avance. La mayoría de los reguladores de voltaje comerciales que utilizan transformadores con derivaciones múltiples conmutan las derivaciones a tiempos que no son controlados. Esto genera picos de voltaje y chasquidos que pueden interferir con el audio. Cuando una fluctuación del voltaje requiere la corrección del P-3600 AR G, la regulación del voltaje en RMS verdadero adelanta una nueva derivación con menos tensión y, a su vez, evita la distorsión de la forma de la onda de CA. La histéresis en los circuitos del P-3600 AR G evita las conmutaciones innecesarias entre las derivaciones contiguas (o “vibraciones”) que se producen en muchos reguladores de voltaje comerciales. Si es necesario, la tecnología de regulación del voltaje en RMS verdadero puede conmutar derivaciones hasta una dos veces por ciclo y lo hace con un tiempo de recuperación menor que un regulador de voltaje comercial. Además, y a diferencia de los reguladores de voltaje que utilizan transformadores ferrosesonantes, el P-3600 AR G no es sensible a los errores pequeños en la frecuencia de línea, por lo que resulta ideal para utilizarlo con generadores. Además, el diseño toroidal del autotransformador asegura una fuga mínima de los campos de dispersión magnética.

El P-3600 AR G tiene una capacidad de rango bajo de 88 VCA a 134 VCA y una capacidad de rango alto de 170 VCA a 264 VCA. No hay necesidad de seleccionar el rango. El P-3600 AR G automáticamente reconoce un voltaje utilizable y comienza a regular de inmediato. Este impresionante rango de captura asegura una salida de 120 VCA. Para proporcionar el voltaje CA regulado, el P-3600 AR G tiene ocho tomacorrientes en el panel trasero y dos tomacorrientes de fácil acceso en el panel delantero. Además, en el panel trasero hay una salida L5-30R que puede suministrar 30 amperios. Todos los tomacorrientes están regulados y cuentan con supresión de sobretensiones y filtrado lineal, lo que convierte a la unidad en un acondicionador de potencia de funcionalidad completa.

NOTA: el P-3600 AR G se puede utilizar solo con voltaje de CA. Nunca deben aplicarse voltajes de CC. Además, no cambia ni regula la frecuencia de línea. La frecuencia de salida siempre será la misma que la de entrada. La unidad solo debe conectarse a una fuente de energía con conexión a tierra.

Supresión de sobretensiones transitorias – Tecnología SMP dual (protección de serie multietapas)

La supresión de sobretensiones SMP (protección de serie multietapas) de Furman prácticamente elimina las visitas de servicio técnico y el costoso “tiempo de inactividad”. Los circuitos con supresión de sobretensiones tradicionales se sacrifican a sí mismos cuando son expuestos a múltiples picos de voltaje transitorios, lo que requiere el desmantelamiento de su sistema y la reparación del supresor de sobretensiones. Esto no sucede con la SMP de Furman. Con la SMP, los voltajes transitorios que provocan daños se absorben, se pinzan y se disipan de forma segura. Su equipo conectado está protegido, mientras que su P-3600 AR G se protege a sí mismo. La incomparable capacidad de sujeción de voltaje dual de la SMP es exclusiva del P-3600 AR G. Si bien otros dispositivos de manejo de potencia en el mundo ofrecen sujeción de voltajes que están muy por encima de la tecnología SMP de Furman, la tecnología SMP dual realiza la sujeción a 188V pico a 120V estándar (375V pico en aplicaciones de 240V), aun cuando se probó con múltiples sobretensiones de 6.000 Vpk/3.000 amperios. Este nivel de protección sin precedentes se encuentra disponible solo con la tecnología SMP de Furman.

LiFT (tecnología de filtrado lineal)

La tecnología de filtrado lineal (LiFT) de Furman, reduce el ruido en la línea de CA de manera lineal en un ancho de banda muy amplio. Los filtros/acondicionadores de CA tradicionales fueron diseñados para condiciones de laboratorio poco realistas, ya fueran filtros de polo múltiple o de modo de serie convencional. En realidad, las tecnologías de antes podían dañar el audio y el rendimiento de video en lugar de ayudar, debido a los picos resonantes de sus diseños no lineales y anticuados. En ciertas condiciones, estos diseños pueden de hecho agregar más de 10 dB de ruido a la línea de CA entrante. Lo que es peor aún, frecuentemente se produce la pérdida de datos digitales, la necesidad de reiniciar los ajustes previos digitales o la destrucción de los convertidores digitales a causa de picos de voltaje excesivo y del ruido de CA que contamina la conexión a tierra del equipo. La tecnología LiFT de Furman, emplea un enfoque diferente, que asegura un óptimo rendimiento a través del filtrado lineal sin contaminación o fuga a tierra.

Protección contra voltaje catastrófico – Apagado por voltaje extremo

El conjunto de circuitos confiable del EVS (apagado por voltaje extremo) de Furman, protege contra condiciones de sobrevoltaje catastrófico. La tecnología EVS controla constantemente el voltaje de entrada y, cuando el voltaje aumenta a un nivel poco seguro durante un cuarto de segundo o cuando se detecta una falla, corta el suministro al circuito SMP y todos los equipos conectados.

Detección de fallas de cableado

La detección de fallas de cableado, junto con el EVS, protege contra conexiones accidentales a neutros intermitentes y cables de alimentación con conexiones deficientes. En cualquier caso, cada circuito corta la potencia de entrada para proteger contra condiciones catastróficas hasta que la condición adversa se corrija.

INTRODUCCIÓN

Gracias por comprar un regulador de voltaje/acondicionador de potencia de la serie Prestige de Furman. Lo felicitamos por su elección. El P-3600 AR G ha sido diseñado con precisión para satisfacer con creces las críticas demandas de los estudios de grabación, las estaciones de transmisión y las producciones que están de gira en todo el mundo. La unidad incorpora características como la regulación del voltaje en RMS (valor eficaz) verdadero, el circuito de protección de serie multietapas (SMP) y nuestra exclusiva

tecnología de filtrado lineal (LiFT) de Furman. Juntas, estas tecnologías componen precisamente lo que nuestros clientes han aprendido a esperar de Furman: protección y purificación seguras. Estas características convierten al P-3600 AR G en el componente perfecto para un esquema de distribución de energía adecuado para ser utilizado en cualquier país y que adapta voltajes nacionales de 100, 120, 220 y 240, entre otros, con la misma facilidad y sin necesidad de reajustes.

El P-3600 AR G Furman está diseñado para proteger equipos electrónicos sensibles, de los problemas ocasionados por las irregularidades en el voltaje de la línea de CA: oscurecimientos parciales o sobrevoltajes que pueden causar cambios de tono en de audio, fallas en los equipos digitales (como la pérdida de programas de MIDI u otra información) o, en casos extremos, un daño permanente. La unidad acepta un amplio rango de voltajes de CA de entrada y los convierte en un rango de salida estable y regular de 120 V (120 V más o menos el 4%). Los voltajes de aproximadamente $\pm 10\%$ fuera de los rangos de captura pueden convertirse en niveles utilizables. Los amplificadores, las consolas y las estaciones de trabajo digitales obtendrán el beneficio de un voltaje estable ya que el P3600 AR G, protege al equipo y favorece un rendimiento óptimo. Si viaja a otros países, utiliza energía proveniente de generadores o utiliza cables de extensión excesivamente largos, o se encuentra en una zona donde se suelen producir caídas de tensión, el uso de su nuevo regulador de voltaje P-3600 AR G de Furman, le asegurará una ventaja excepcional.

DESCRIPCIÓN

Medidores e indicadores del panel delantero

El P-3600 AR G ofrece medidores digitales de precisión que muestran el voltaje entrante en pasos de 1 voltio y un amperímetro de RMS que mide la corriente hasta un quinto amperio. La precisión del voltímetro es de $\pm 1,5$ voltios y presenta un indicador tricolor del rango de voltaje. Esto informa al usuario si el voltaje está dentro o fuera de un rango seguro. El amperímetro mide con precisión el consumo de corriente para brindar un análisis instantáneo de los requisitos del sistema. El panel delantero también incluye indicadores para observar la temperatura de funcionamiento y las fallas de cableado, que ofrecen un control integral.

Conexiones

El P-3600 AR G está equipado con tomacorrientes de CA regulados NEMA de 20 amperios; dos tomacorrientes de CA de fácil acceso en el panel delantero y ocho tomacorrientes en el panel trasero. Los tomacorrientes de CA del panel trasero presentan un aislamiento del ruido discreto en dos bancos. Hay dos disyuntores magnéticos SPST (unipolares y univanales) redondos de 20 amperios en la parte delantera del P-3600 AR G para poder reiniciarlo en caso de que la corriente CA supere las tolerancias para alguno de los dos bancos asignados. Los disyuntores magnéticos para el banco A y el banco B están indicados claramente en el panel delantero del P-3600AR G. El dúplex del panel delantero que se encuentra frente a los interruptores magnéticos debe considerarse como una extensión del banco B y, por lo tanto, cualquier corriente que pase a través de los tomacorrientes de fácil acceso, será enlazada al interruptor magnético del banco B.

En las situaciones en que se requiere un servicio de 120 voltios/30 amperios, el tomacorriente NEMA L5-30R del panel trasero ofrece una fuente regulada con filtrado lineal. Un enchufe macho de CA, L5-30P, con cierre por torsión, se instalará de forma segura en el tomacorriente que entrega la capacidad plena del P-3600AR G. El disyuntor magnético/interruptor de alimentación principal de corriente de entrada alta actúa como el dispositivo de seguridad principal para el tomacorriente L5-30R. El disyuntor magnético y el tomacorriente L5-30R tienen una capacidad nominal de 30 amperios a 120 voltios o de 15 amperios a 240 voltios. Esta característica proviene de la capacidad de autoconmutación de la tecnología de regulación de voltaje del P-3600 AR G.

Se proporciona un enchufe hembra NEMA L14-30R, de cierre por torsión, lo que permite la conexión a la fuente de voltaje. Los suministros de voltaje serán diferentes en los distintos continentes. Las producciones en gira pueden requerir más de una configuración L14-30R debido a la multitud de opciones que se encuentran a nivel internacional. A fin de asegurar una instalación rápida, se recomienda conectar por adelantado los cables de alimentación eléctrica y los conectores L14-30R de cierre por torsión sobre la base de los requisitos eléctricos previstos. Si tiene dudas mientras realiza el cableado de los conectores, llame a Furman para asistencia o solicite ayuda a un electricista licenciado.

INSTALACIÓN

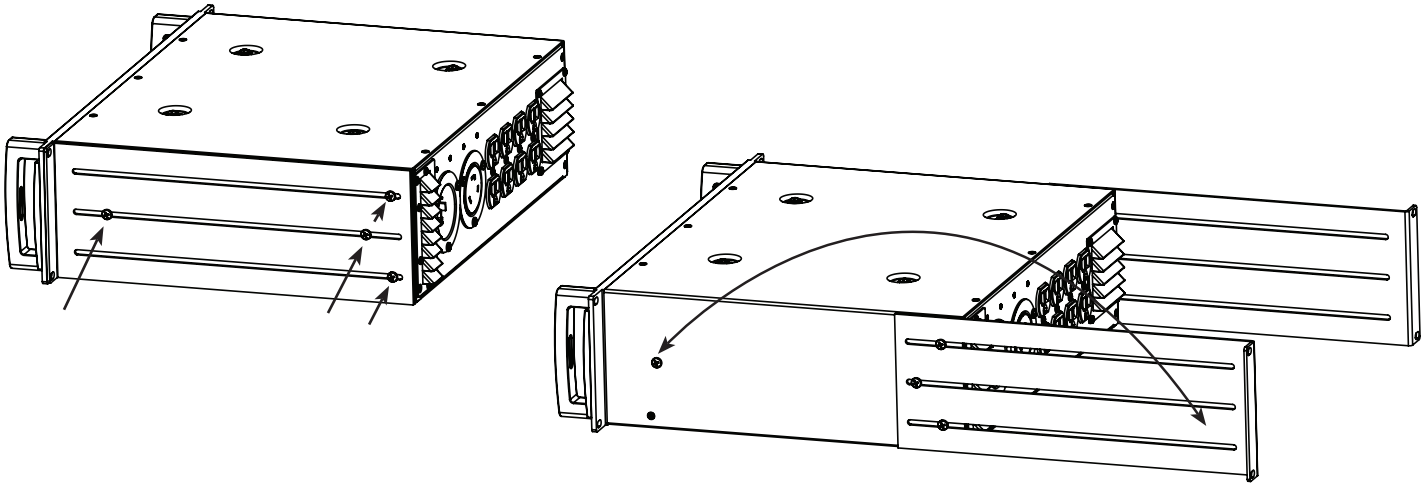
Debido al diseño toroidal del transformador, el P-3600 AR G Furman se puede ubicar cerca de casi cualquier otro equipo sin temor a que este se vea afectado por la fuga de un campo magnético fuerte de 50/60 Hz. No obstante, las ubicaciones sugeridas de los estantes son en la parte superior o inferior.

Utilice extrema precaución cuando cargue o coloque el P-3600 AR G en el estante. La unidad puede resultar muy pesada y puede necesitar ayuda. Solicite ayuda cuando coloque el P-3600 AR G en el estante.

Las orejetas para montaje en el estante trasero están ubicadas a cada lado del P-3600 AR G. Las orejetas ajustables deben retirarse antes de utilizar con los rieles de montaje traseros. Las orejetas para montaje en el estante trasero deben utilizarse junto con las orejetas del bastidor del panel delantero si no hay rieles de montaje traseros disponibles. Como con cualquier equipo montado en estante, asegúrese de utilizar tornillos mecánicos 10-32 para montar en los agujeros de montaje del estante (esta no es una medida métrica). En particular, tenga cuidado con los tornillos 10-24, que pueden encajar si se fuerzan pero arrancarán las roscas. Para evitar estropear el acabado del panel delantero, utilice arandelas plásticas debajo de las cabezas de los tornillos. n español Mientras que en el estante, usted puede quitar las manijas del panel de delante de P-3600 AR G.

Montaje en el estante trasero:

Si instala el P-3600 AR G en un estante que tiene rieles de montaje traseros y delanteros, puede asegurarlo fácilmente a la parte trasera de su estante. Simplemente retire los tornillos* de fijación de la parte lateral y delantera de la orejeta ajustable del estante trasero y de la placa lateral de refuerzo (ubicada a cada lado del bastidor), inviértalo y sujételo nuevamente al bastidor del P-3600 AR G.



*** NOTA:** Utilice por favor los tornillos se proporcionan que. Si los tornillos se deben obtener a otra parte, no utilice los tornillos de largo que 5/16 de una pulgada. Los tornillos de 5/16" pueden entrar en contacto con más de largo los componentes internos que hacen la unidad inoperable.

Conector de entrada L14-30R y cable de alimentación eléctrica:

El P-3600 AR G viene con un conector hembra L14-30R de cierre por torsión. **NO SE SUMINISTRA NINGÚN CABLE DE ALIMENTACIÓN.** Debido a las numerosas diferencias entre los requisitos del código eléctrico de los distintos países, además de las diversas necesidades respecto de la longitud de cable en las instalaciones individuales, no es posible incluir un cable de alimentación completo con su P-3600 AR G. Se suministra el conector de montaje de cable que se acopla al conector de cierre por torsión del P-3600 AR G, pero es responsabilidad del personal calificado conectar el cable de alimentación eléctrica con uno del calibre, el número de conductores, la longitud y el conector del extremo de fuente que sean adecuados.

Selección del cable de ALIMENTACIÓN:

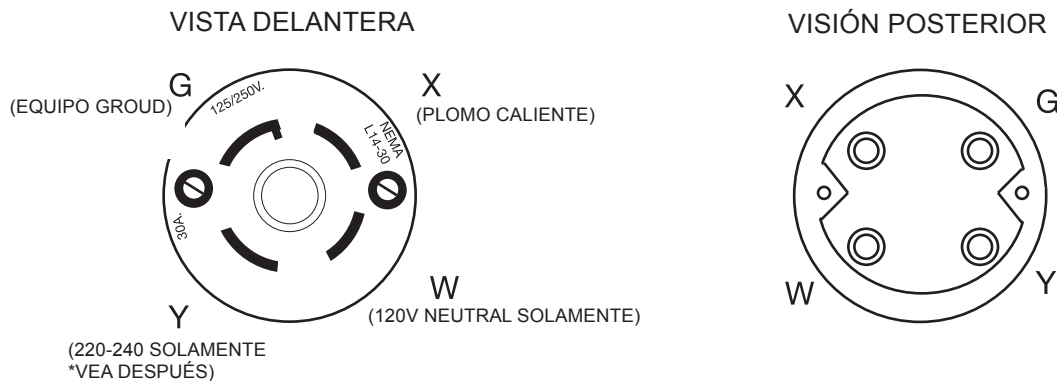
Para el funcionamiento con 120 VCA nominales, se debe utilizar un cable de 3 hilos de al menos 10 AWG (0,101 pulg/2,56 mm de diámetro), según la distancia desde la fuente de alimentación.

Para el funcionamiento con 208-240 VCA nominales, se debe utilizar un cable de 3 hilos de al menos 14 AWG (0,064 pulg/1,62mm de diámetro), según la distancia desde la fuente de alimentación.

Se recomienda un cable con camisa de caucho para obtener mayor flexibilidad y resistencia a la abrasión. Se puede utilizar un cable de 4 hilos, pero no es necesario y no se recomienda.

Instrucciones del cableado del cable de la fuente:

Consulte los diagramas siguientes para realizar el cableado del conector de cierre por torsión:



Requisitos generales del cableado:

El voltaje bajo de la gama (88 a 133VAC, a 30A máximos) es aplicado entre X y el W.
 el voltaje de la alta gama (170 a 265VAC, a 15A máximos) es aplicado entre X y Y.
 G es siempre tierra del equipo.

Para el cableado 120V:

El alambre caliente lleva a X (negro en Norteamérica).
 Ate con alambre el neutral llevan a W (blanco en Norteamérica).
 Ate con alambre el equipo molido a G (verde en Norteamérica).

Cableado de 220-240V los E.E.U.U.:

El alambre caliente lleva a X (negro en Norteamérica).
 El alambre caliente lleva a Y (roja o azul en Norteamérica) *.
 Ate con alambre el equipo molido a G (verde en Norteamérica).

Cableado de 220-240V Europa:

El alambre caliente lleva a X (marrón, o al negro con las rayas blancas en Europa).
 El alambre neutral lleva a Y (azul en Europa) *.
 Ate con alambre el equipo molido a G (verde con la raya amarilla en Europa).

Conector del extremo de la fuente en el cable de alimentación

El conector utilizado en el extremo de la fuente debe tener una capacidad nominal de al menos 250 V-15 A para el funcionamiento con rango alto o de 120 V-30 A para el funcionamiento con rango bajo. Si está en duda, consulte a un electricista profesional cuando instale su P-3600 AR G.

FUNCIONAMIENTO**Interruptor de alimentación principal /disyuntor magnético de resistencia ultra baja**

El interruptor de alimentación principal /disyuntor de 30 amperios de capacidad serie Prestige de Furman, está específicamente diseñado para hacer frente a las grandes demandas de la corriente de entrada de muchos amplificadores de potencia. Además, los disyuntores magnéticos Furman no son sensibles a la temperatura, ni tampoco aumentan la impedancia en CA como lo hacen muchos disyuntores térmicos menos costosos. Si se supera la capacidad de corriente eficaz máxima de 30 amperios del P-3600 AR G, el interruptor tensionado por resortes volverá de inmediato a la posición "Apagado". Deberá volver a colocarlo en la posición "Encendido" cuando se solucione el problema (generalmente, al desenchufar un componente) o cuando la corriente eficaz no supere los 30 amperios (3.600 vatios).

Capacidad total de corriente (carga máxima y mínima):

El P-3600 AR G puede manejar cargas de un total de hasta 30 amperios (3.600 vatios), siempre que el voltaje de entrada sea igual o superior a 120 voltios (rango bajo) o a 240 voltios (rango alto). Para voltajes inferiores a ese nivel, su capacidad debe disminuirse a aproximadamente 170 miliamperios por voltio (consulte la Figura 3 al final de esta sección). Como una cuestión práctica para enfrentar satisfactoriamente las condiciones de oscurecimiento en el peor de los casos, debe planificar su carga total de manera que no supere los 22,5 amperios o los 2.700 vatios. Tenga en cuenta que esto se refiere al requisito de potencia en conjunto de todo el equipo enchufado en el P-3600 AR G, no de cada componente en particular.

NOTA: Si bien no existe un requisito de carga mínima para el P-3600 AR G, puede sentir un zumbido mecánico audible que proviene directamente de la unidad cuando el interruptor de ENERGÍA esté encendido y no haya nada enchufado. Habitualmente, este se desaparecerá cuando la unidad tenga una carga de 50 vatios o más.

Medidor de voltaje digital:

El voltímetro digital de CA de precisión de laboratorio Furman, está en el lado izquierdo del panel delantero. El voltímetro mide constantemente los voltajes entrantes dentro de una tolerancia típica de +/- 1,5 VCA. Es necesario observar que la lectura de voltaje está determinada por la fuente de CA entrante. Hay indicadores LED adicionales, PROTECCIÓN CORRECTA, VOLTAJE EXTREMO y RANGO DE VOLTAJE ubicados en la lente del voltímetro digital, al lado de la lectura de voltaje.

Indicador LED de protección correcta:

La "Protección Ok" indicador LED es normalmente brillante. Si bien el circuito de SMP de Furman asegura una protección prácticamente libre de mantenimiento contra sobretensiones y picos de voltaje transitorios, la naturaleza tiene un modo de crear fuerzas eléctricas que van más allá de las capacidades de absorción de cualquier dispositivo TVSS sin algún nivel de daño (como la caída directa de un rayo en una aplicación para exteriores). Si se produce esta extraña situación, el indicador LED verde de "Protección correcta" (ubicado en la parte inferior derecha del voltímetro) no se iluminará. Si esto sucede, habrá cierto nivel de protección contra sobretensiones, pero el valor de sujeción de voltaje de Furman se verá comprometido. La unidad debe devolverse a Furman.

Indicador LED de apagado por voltaje extremo:

Habitualmente, el indicador LED de apagado por voltaje extremo está apagado. Está ubicado dentro del conjunto de la lente del medidor, centrado directamente sobre los LED de los medidores de voltaje azules, aunque durante el uso normal NO será visible. El circuito EVS de Furman detecta voltajes que son tan altos que el funcionamiento sería imposible y apaga la energía antes de que ocurran daños. Cuando aplique la corriente por primera vez al P-3600 AR G, el indicador de voltaje extremo se iluminará con una luz roja brillante si el voltaje de entrada es superior al corte de voltaje extremo. Cuando esto ocurre, no llegará energía a los tomacorrientes del P-3600 AR G. Si la unidad ha estado funcionando con un voltaje de entrada aceptable y posteriormente un voltaje supera los 145 V en el rango de captura más bajo de 120 V o los 275 V en el rango de captura más alto de 240 V, la unidad cortará la energía a los tomacorrientes y el LED de voltaje extremo se encenderá.

NOTA: Si la corriente de la red eléctrica supera un voltaje de corte alto y ha hecho que el circuito EVS interrumpa la energía a los tomacorrientes del P-3600 AR G Furman, no se podrá restaurar la energía a menos que el operador apague la unidad manualmente y la vuelva a encender. Evite volver a encender la unidad sin verificar primero el origen del problema y posiblemente cambiar la fuente de CA.

Indicador LED de rango de voltaje:

Este indicador tricolor de rango de voltaje está ubicado en la esquina inferior izquierda del conjunto de la lente del voltímetro digital. Cuando el voltaje de la CA entrante está dentro del rango de captura del P-3600 AR G, el indicador tricolor será verde (óptimo), lo que indica que la unidad está regulando. No obstante, si el regulador encuentra una condición transitoria temporaria, el indicador se pondrá de color ámbar (precaución). Esta indicación ámbar aparece cuando hay demasiados cambios u oscilaciones repentinas en la entrada (+/-10 voltios). Si el voltaje de entrada está fuera del rango de captura, el indicador se pondrá rojo; por ejemplo, por debajo de 88 V o por encima de 134 V con una fuente de 100 V a 120 V; por debajo de 170 V o por encima de 264 V con una fuente de 208 V a 240 V. Las advertencias en rojo indican que el voltaje entrante está lejos de ser óptimo y es mayor que el rango de captura que ofrece una fuente de voltaje constante. En esta condición, el P-3600 AR G continuará regulando desde la última derivación del autotransformador y proporcionará un voltaje de salida lo más cercano posible a 120V (por ejemplo, un voltaje de entrada de 92 V equivaldría a una salida de 110 V). Cuando se utiliza el P-3600 AR G en aplicaciones críticas donde la salida de 120V es la preocupación principal, la indicación roja es invaluable.

Medidor de corriente eficaz verdadera:

El medidor de corriente eficaz verdadera de Furman está ubicado en el lado derecho del panel delantero y mide constantemente la carga de CA del circuito total, con una tolerancia típica de +/- 0,5 amperios. Debido a que el medidor cuenta con tecnología de RMS verdadero, las lecturas actuales son precisas independientemente de las condiciones de carga (capacitiva, inductiva o resistiva).

Indicador LED de fallas de cableado:

El indicador de fallas de cableado controla un riesgo habitual en la industria del entretenimiento. Por ejemplo, puede ocurrir una falla de cableado por una conexión accidental a un neutro en serie abierto en el panel de servicio eléctrico. El indicador de fallas de cableado es un LED rojo ubicado en la parte inferior derecha del medidor de corriente. Esta característica funciona junto con el circuito EVS de Furman, para asegurar la máxima protección contra circuitos y conectores de cierre por torsión, que estén incorrectamente cableados. Si está iluminado, el P-3600 AR G NO funcionará hasta que se corrija la falla de cableado.

Indicador LED de rango de temperatura:

Ubicado en la parte inferior izquierda del dispositivo de lectura del medidor de corriente, el indicador LED de rango de temperatura proporciona información de diagnóstico sobre el ambiente interno del regulador de voltaje P-3600 AR G. Este LED bicolor está verde cuando las temperaturas son más favorables para el autotransformador. El indicador LED de rango de temperatura puede cambiar a ámbar cuando las temperaturas son menos favorables.

Indicador LED de temperatura extrema:

Si bien muchos entornos pueden preverse, no se pueden considerar o prever todos. En temperaturas ambiente extremadamente altas, junto con consumos de corriente continuamente altos, es posible que se supere la temperatura máxima permisible del P-3600 AR G. Si esta situación se presenta, la unidad se apagará por exceso de temperatura a fin de garantizar la seguridad. El indicador de temperatura extrema (ubicado dentro del conjunto de la lente del medidor, centrado directamente sobre los LEDs del medidor de corriente azul) se iluminará cuando la temperatura máxima esté presente y se haya interrumpido la energía a todos los tomacorrientes del P-3600 AR G. Observe que el P-3600 AR G tiene un ventilador instalado en el interior para proporcionar refrigeración en temperaturas extremas.

LOCALIZACIÓN Y SOLUCIÓN DE PROBLEMAS**1.) Síntoma: no hay energía en los tomacorrientes de CA; el indicador de "Protección correcta" no está encendido.**

Causa posible: el tomacorriente de CA al cual su P-3600 AR G está conectado, no tiene voltaje de CA o se produjeron daños en el circuito de la unidad.

Acción Necesaria: enchufe el P-3600 AR G a una fuente de CA donde haya 120 VCA nominales.

Si el problema persiste, es posible que el circuito interno esté dañado y la unidad necesitará servicio técnico de fábrica (consulte la sección "Servicio técnico" a continuación).

2.) Síntoma: el indicador de voltaje extremo está encendido.

Causa posible: el voltaje de entrada es superior a 140 voltios o 275 voltios, lo que hace que se corte la energía que va a los tomacorrientes de la unidad.

Acción Necesaria: corrija el voltaje de la línea, luego apague y encienda el P-3600 AR G con el disyuntor.

3) Síntoma: el indicador de rango de temperatura está de color ámbar.

Causa posible: la temperatura interna del autotransformador P-3600 AR G está llegando a su temperatura límite.

Acción Necesaria: el operador debe verificar que haya espacio libre suficiente alrededor del P-3600 AR G, que el ventilador esté funcionando, que los dos conductos de ventilación no presenten obstrucciones, que la carga no sea excesiva y que la temperatura ambiente no sea demasiado alta.

ADVERTENCIA: Si la temperatura del P-3600 AR G continúa aumentando, el P-3600 AR G puede apagarse para evitar sufrir daños. Si el P-3600 AR G se apaga por exceso de temperatura, puede pasar un tiempo considerable hasta que la unidad se enfríe y se vuelva a encender.

4) Síntoma: el indicador de temperatura extrema está encendido.

Causa posible: la temperatura interna del autotransformador P-3600 AR G ha superado los niveles de funcionamiento seguro y la unidad se ha apagado por exceso de temperatura.

Acción Necesaria: el operador debe verificar que haya espacio libre suficiente alrededor del P-3600 AR G, que el ventilador esté funcionando, que los dos conductos de ventilación no presenten obstrucciones, que la carga no sea excesiva y que la temperatura ambiente no sea demasiado alta. El ventilador continuará funcionando y haciendo circular el aire aun cuando la unidad se haya apagado en este estado. La unidad se volverá a encender cuando la temperatura interna del autotransformador haya bajado.

NOTA: Debido a la gran masa térmica del autotransformador P-3600 AR G, cuando este llega a su límite de temperatura alta, pasará un tiempo considerable hasta que se enfríe.

SERVICIO TÉCNICO

Si tiene preguntas o problemas con su unidad Furman, puede comunicarse con el Departamento de Atención al Cliente de Furman al (877) 486-4738 de 8 a.m. a 4 p.m. (hora del Pacífico) o por correo electrónico a techsupport@furmansound.com. Si una unidad necesita servicio técnico, debe contar con un número de autorización de devolución asignado por el Departamento de Atención al Cliente de Furman.

Antes de devolver algún equipo para su reparación, asegúrese de que esté correctamente embalado y protegido contra los daños que pudiera sufrir durante el envío, y de que esté asegurado. Se recomienda conservar la caja de embalaje original y utilizarla cuando envíe el producto para el servicio técnico. Además, adjunte una nota breve en la que indique su nombre, dirección, número de teléfono y una descripción del problema. Coloque su número de autorización de devolución de manera bien visible en el frente de todos los embalajes.

GARANTÍA LIMITADA DE 5 AÑOS

CONSERVE SU RECIBO DE VENTA El recibo es su prueba de compra y confirma que el producto fue comprado en un distribuidor de Furman autorizado. Deberá enviarlo a Furman para procesar cualquier reclamo de garantía.

Furman, una marca de Panamax LLC., garantiza su P-3600 AR G (el "Producto") de la siguiente manera:

Furman garantiza al comprador original del producto que el producto vendido de acuerdo al presente documento no tendrá defectos de material o de mano de obra durante un período de cinco años desde la fecha de compra. Si el producto no cumple con esta Garantía Limitada durante el período de garantía (como se especifica en el presente documento), el comprador informará a Furman sobre los defectos reclamados llamando al 877-486-4738 o por correo electrónico (techsupport@furmansound.com). Si los defectos son de tal tipo o naturaleza que estén cubiertos por esta garantía, Furman autorizará al comprador a devolver el producto a la oficina central de Furman. Los reclamos de garantía DEBEN estar acompañados por una copia de la factura o el recibo de compra original donde figure la fecha de compra. El comprador del producto deberá pagar los gastos de envío a la oficina central de Furman por adelantado. Furman deberá proveer, a su cargo, un producto de reemplazo o, si Furman lo decidiera, reparar el producto defectuoso. Furman pagará los gastos de envío para devolver el producto al comprador.

LO ANTERIOR SE CONSIDERA EN LUGAR DE TODAS LAS OTRAS GARANTÍAS, EXPRESAS O IMPLÍCITAS, QUE INCLUYEN, ENTRE OTRAS, LAS GARANTÍAS IMPLÍCITAS DE COMERCIALIZACIÓN O DE APTITUD PARA UN FIN DETERMINADO.

Furman no ofrece garantía contra daños o defectos que pudieran surgir del uso inadecuado o de la manipulación incorrecta del producto, o contra defectos o daños que pudieran surgir de la instalación incorrecta. Furman podrá cancelar esta garantía a su criterio si el producto fuera modificado de alguna manera sin autorización por escrito de Furman o Panamax LLC. Esta garantía tampoco se aplica a los productos que hayan sido reparados o que hayan tenido un intento de reparación realizado por personas sin la autorización escrita de Furman o Panamax LLC.

ESTA GARANTÍA ES EXCLUSIVA. La única y exclusiva obligación de Furman será reparar o reemplazar el producto defectuoso de la manera y durante el período mencionado anteriormente. Furman no tendrá ninguna otra obligación con respecto a los productos ni a ninguna de sus piezas, ya sea que se base en un contrato, lesión jurídica, responsabilidad forzosa o cualquier otra. Bajo ninguna circunstancia, ya sea que se base en esta Garantía Limitada o no, Furman será responsable por daños incidentales, especiales o indirectos. Esta Garantía Limitada establece la obligación completa de Furman con respecto al producto. Si se determinara que alguna parte de esta Garantía Limitada es inválida o ilegal, el resto continuará en plena vigencia y efecto.

ESPECIFICACIONES

CORRIENTE MÁXIMA:

30 AMPERIOS

REGULACIÓN DE VOLTAJE:

120 VCA ($\pm 4\%$)

EN RANGO DE REGULACIÓN:

(BAJO) 88-134 VCA A 50/60Hz,

(ALTO) 174-268 VCA A 50/60Hz

APAGADO POR EXCESO DE VOLTAJE:

145 VCA NOMINAL (120 VCA DE ENTRADA)

275 VCA NOMINAL (240 VCA DE ENTRADA)

MODOS DE PROTECCIÓN CONTRA PICOS:

LÍNEA A NEUTRO, NO HAY FUGA EN CONEXIÓN A TIERRA

SUJECCIÓN DE VOLTAJE PARA PICOS:

PICO DE 188 V A 3.000 AMPERIOS

TIEMPO DE RESPUESTA:

1 NANOSEGUNDO

SOBRECORRIENTE MÁXIMA:

6.500 AMPERIOS

ATENUACIÓN DE RUIDO:

10 DB A 10KHZ, 40 DB A 100 KHZ,

55 DB A 500KHZ

RECEPTÁCULOS (PANEL DELANTERO):

DOS TOMACORRIENTES NEMA-20 DE 120 V, 20 A, GRADO DE ESPECIFICACIÓN TIPO EDISON

RECEPTÁCULOS (PANEL TRASERO):

UN TOMACORRIENTE DE 120 V L-5, 30 A, HEMBRA, OCHO TOMACORRIENTES DE 120 V, 20 A, NEMA-20,

GRADO DE ESPECIFICACIÓN TIPO EDISON

ENTRADA DE CORRIENTE CA:

ENTRADA MACHO L-14 DE CIERRE POR TORSIÓN (INCLUYE CONECTOR DE MONTAJE DE CABLE)

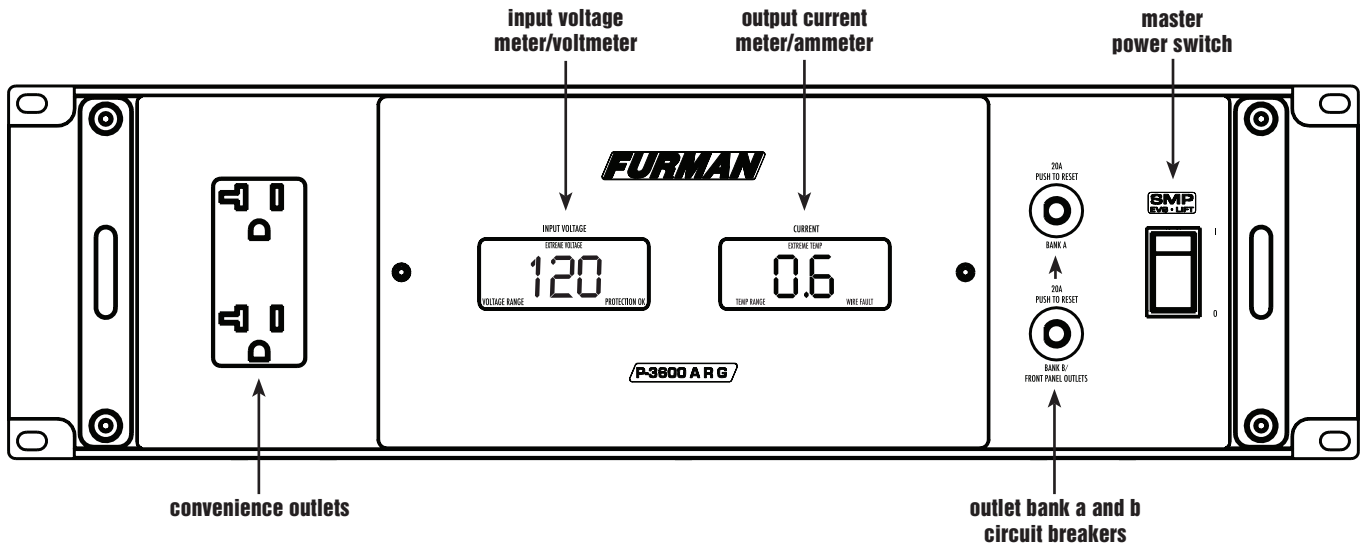
DIMENSIONS:

19" DE ANCHO x 14,25" DE PROFUNDIDAD x 5,25" DE ALTURA (483 mm DE ANCHO X 362 mm DE PROFUNDIDAD x 133 mm DE ALTURA)

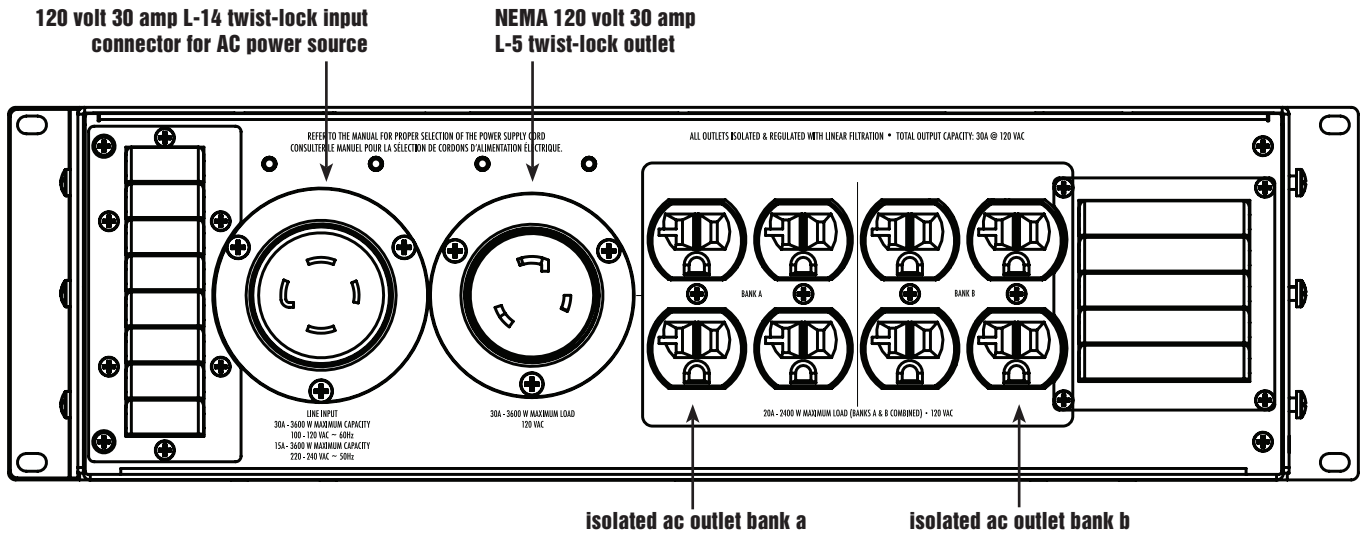
PESO:

98 LBS. (44,5 KG)

PANEL DELANTERO DEL P-3600 AR G

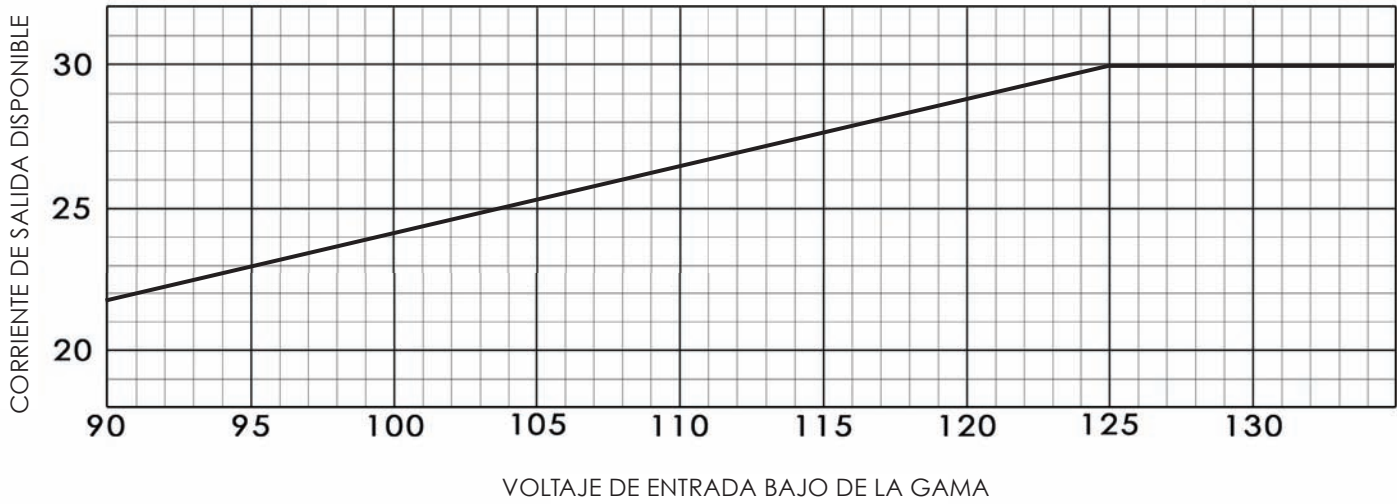


PANEL TRASERO DEL P-3600 AR G



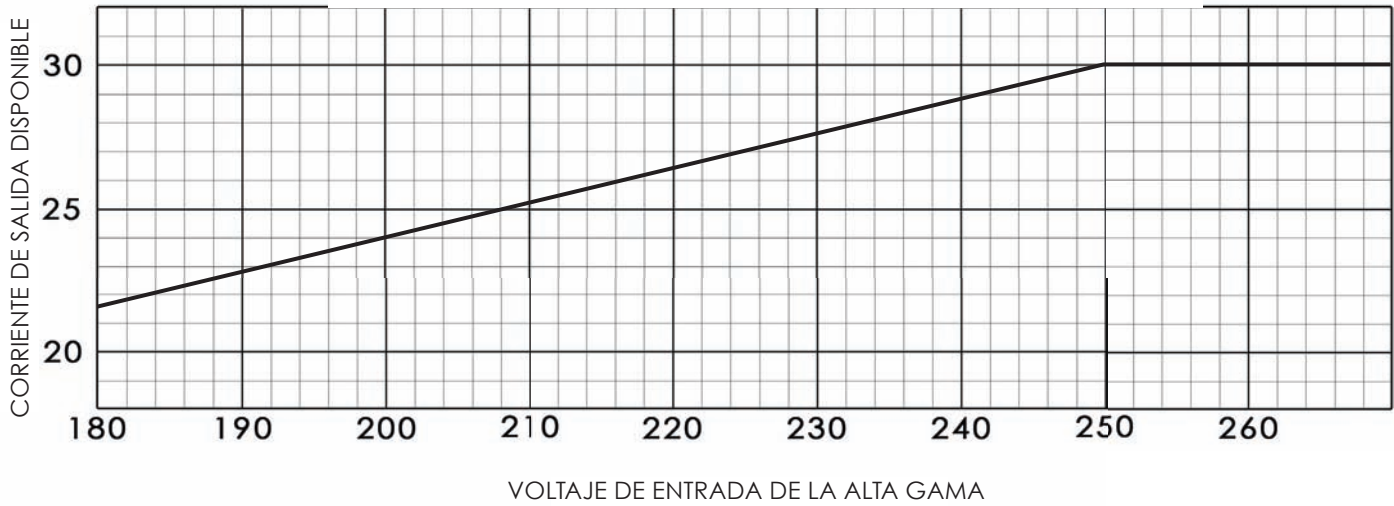
LOW INPUT CURRENT VS. VOLTAGE GRAPH

P-3600 AR G CORRIENTE DE SALIDA DISPONIBLE CONTRA VOLTAJE DE ENTRADA



HIGH INPUT CURRENT VS. VOLTAGE GRAPH

P-3600 AR G CORRIENTE DE SALIDA DISPONIBLE CONTRA VOLTAJE DE ENTRADA



NOTES/NOTA

FURMAN[®]

1690 Corporate Circle • Petaluma, California, USA 94954

Phone: 877-486-4738 • Fax: 707-763-1310

www.FurmanSound.com